

# Flex Frame 2

# SHELF SIGN CHANNEL, 1-1/4"

## CARTON CONTENTS

SHELF SIGN CHANNEL, 1-1/4" (BLACK)		
ITEM #	DESCRIPTION	QTY
1A	1-1/4" SHELF SIGN CHANNEL (BLACK)	1

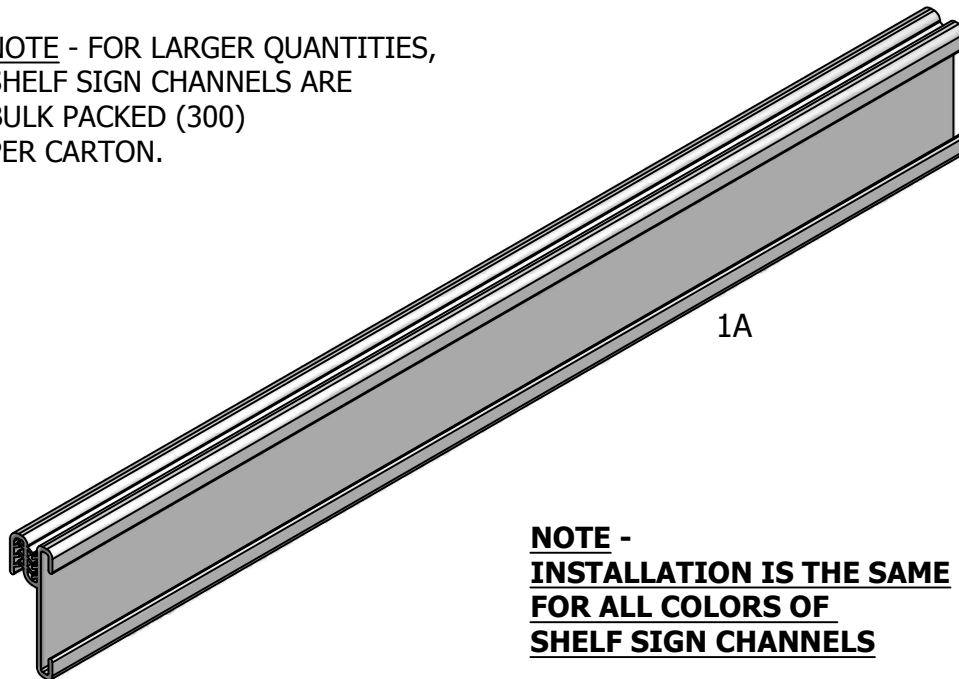
SHELF SIGN CHANNEL, 1-1/4" (SILVER)		
ITEM #	DESCRIPTION	QTY
1A	1-1/4" SHELF SIGN CHANNEL (SILVER)	1

CARTON DIMENSIONS: 16-3/4" X 12" X 9-1/2" (BULK PACK OF 300)

CARTON WEIGHT: 22-1/2 LBS. (BULK PACK OF 300)

UNIT WEIGHT: LESS THAN 1 LBS. (EACH)

NOTE - FOR LARGER QUANTITIES,  
SHELF SIGN CHANNELS ARE  
BULK PACKED (300)  
PER CARTON.



**NOTE -  
INSTALLATION IS THE SAME  
FOR ALL COLORS OF  
SHELF SIGN CHANNELS**

## INTRODUCTION:

CAREFULLY READ THE CONTENTS OF THESE INSTRUCTIONS, AS THEY INDICATE THE CORRECT STEP BY STEP PROCEDURE TO ASSEMBLE THE PRODUCT. THE CARTON CONTENTS PAGE(S) WILL IDENTIFY THE ASSEMBLY PARTS. BEFORE PROCEEDING WITH THE ASSEMBLY PROCESS, MATCH THE CARTON CONTENTS TO THE STATED CONTENTS TO ENSURE THERE ARE NO MISSING PARTS. IN THE EVENT OF ASSEMBLY PROBLEMS OR MISSING PARTS, PLEASE CONTACT OUR CUSTOMER SERVICE DEPARTMENT.

**PHONE: 1-800-968-6991**

**WEBSITE: WWW.TOBACCOFIXTURES.COM**

## CAUTION:

ASSEMBLED TOBACCO FIXTURES MAY BE VERY HEAVY. DO NOT ATTEMPT TO LIFT OR MOVE WITHOUT ASSISTANCE.

**THE MANUFACTURER OF THIS DISPLAY  
ASSUMES NO LIABILITY FOR INJURY CAUSED  
BY IMPROPER ASSEMBLY/INSTALLATION OF  
THIS DISPLAY.**

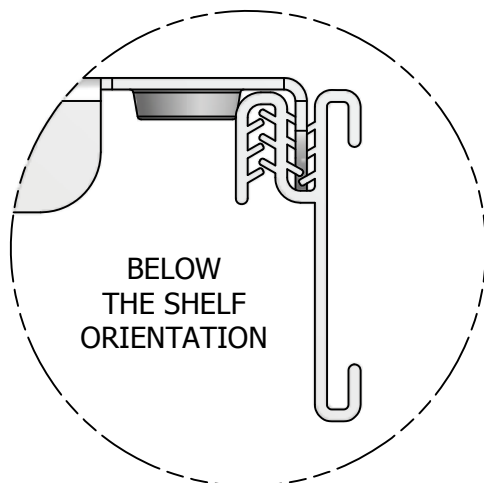
NUMBER OF PEOPLE REQUIRED TO ASSEMBLE UNIT:

(1)

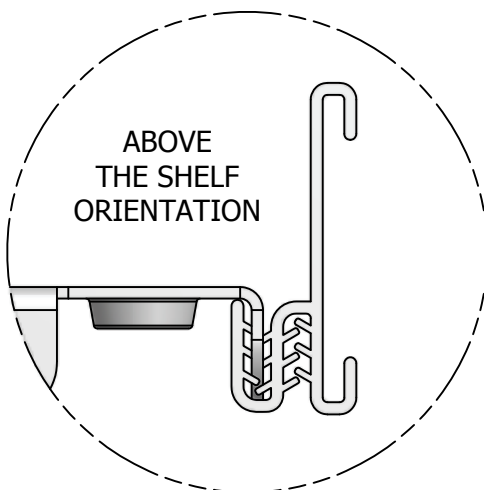
ASSEMBLY TOOLS REQUIRED:

NONE

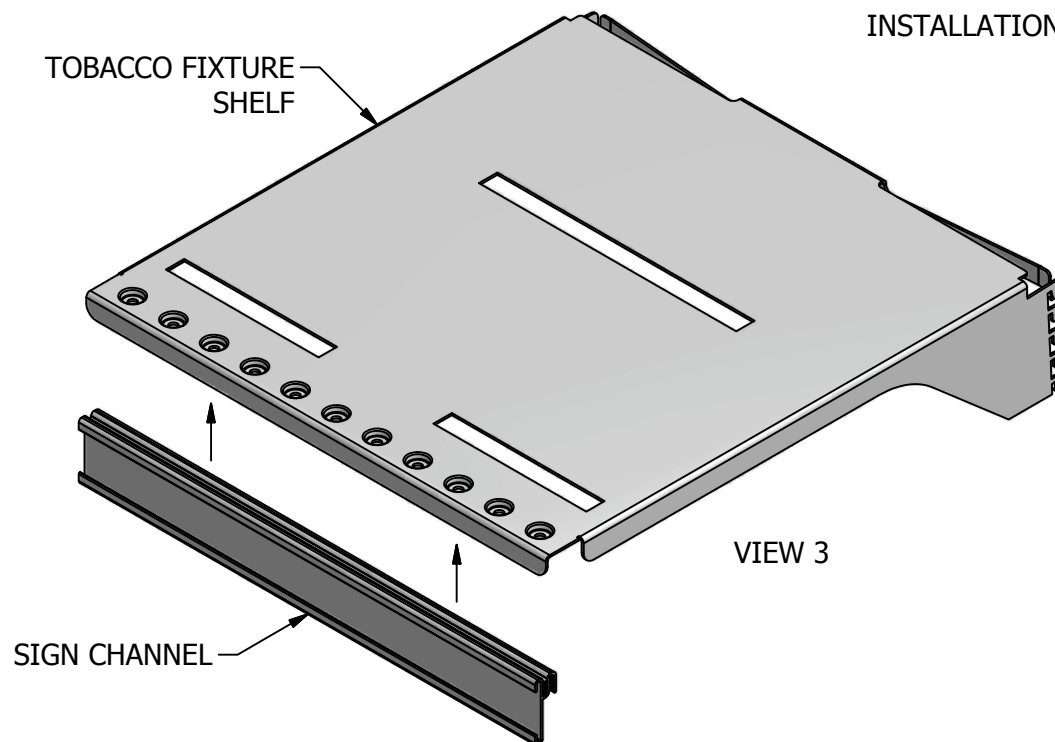
## INSTALLATION INSTRUCTIONS



VIEW 1



VIEW 2



### **INSTALLATION**

**STEP 1** - DETERMINE THE ORIENTATION OF THE SIGN CHANNEL ON THE TOBACCO FIXTURE SHELVES, BELOW THE SHELF (VIEW 1) OR ABOVE THE SHELF (VIEW 2).

**STEP 2** - CAREFULLY PRESS A SIGN CHANNEL ONTO THE FRONT LIP OF THE FIRST SHELF SO THAT IT IS FULLY SEATED (VIEW 3).

**STEP 3** - REPEAT STEP 2 FOR ADDITIONAL SHELVES.

**STEP 4** - CLEAN UP THE AREA AND RECYCLE/DISCARD THE PACKAGING. INSTALLATION IS COMPLETE.