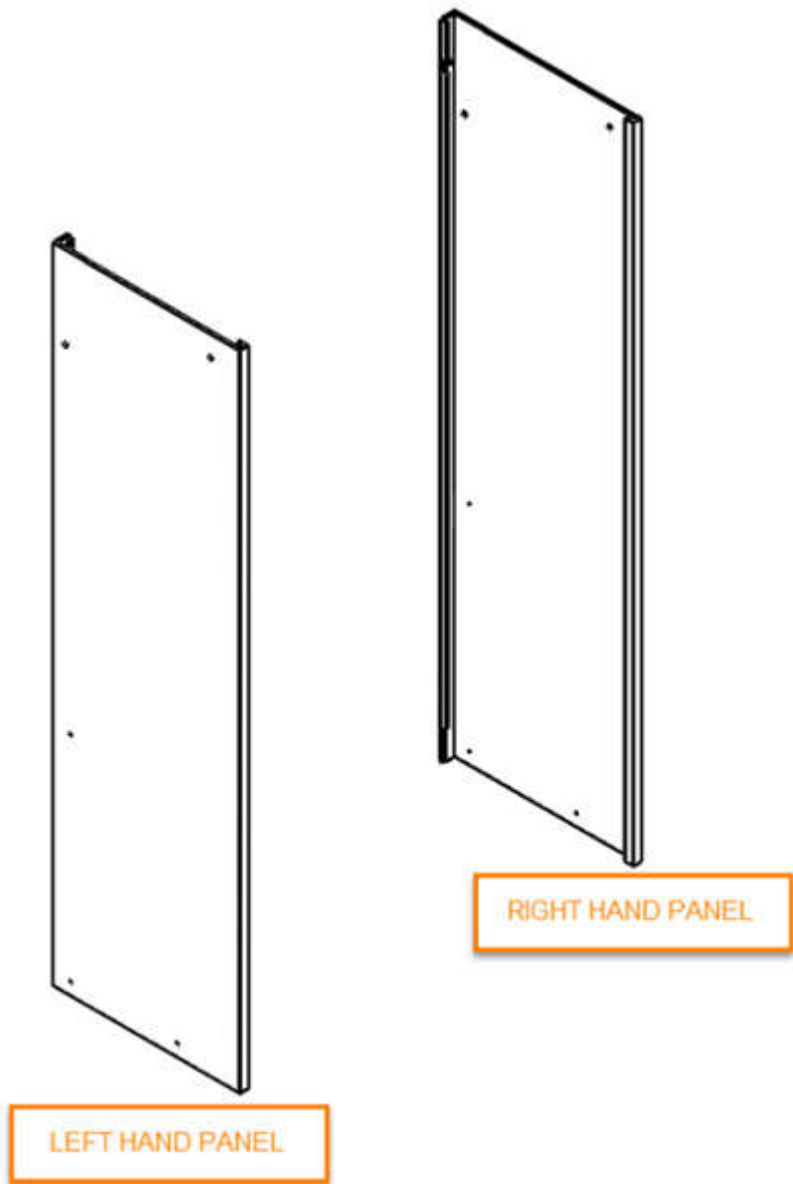


## Base End Panels (for 55" height non-telescoping)



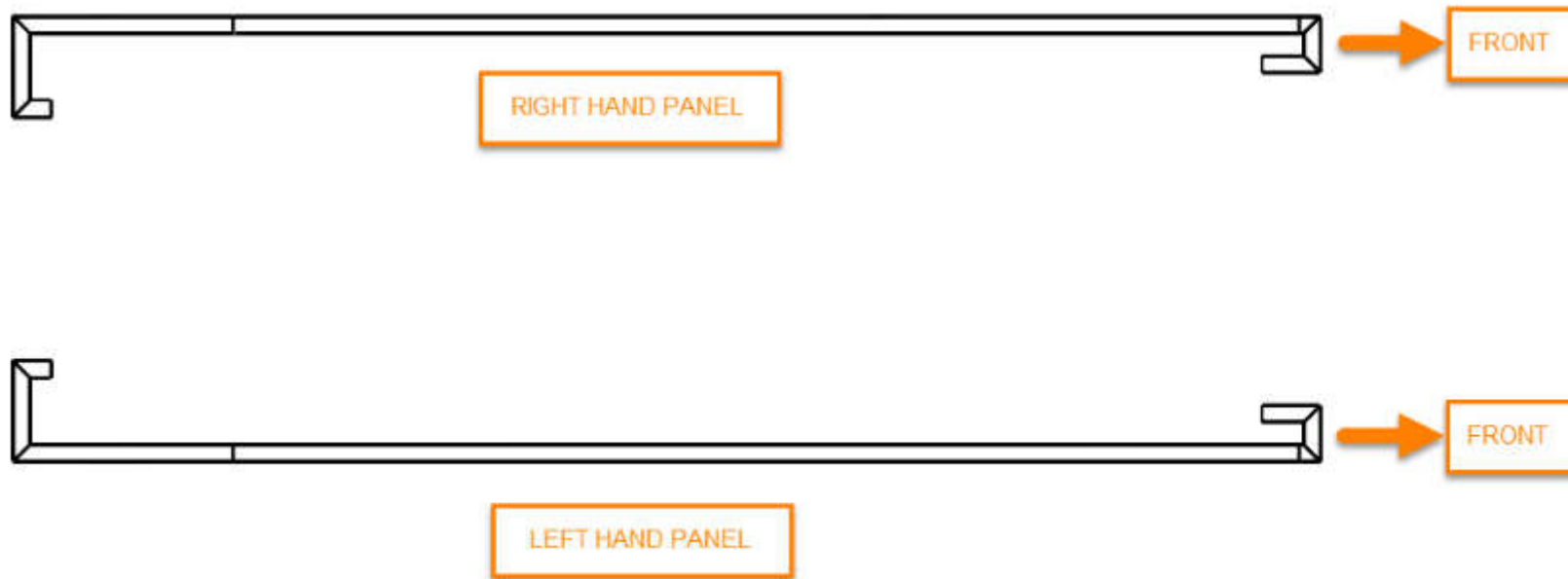
### INTRODUCTION:

CAREFULLY READ THE CONTENTS OF THESE INSTRUCTIONS, AS THE INSTRUCTIONS INDICATE THE CORRECT STEP BY STEP PROCEDURE TO ASSEMBLE THE PRODUCT. IN THE EVENT OF ASSEMBLY PROBLEMS OR MISSING PARTS, PLEASE CALL OUR CUSTOMER SERVICE DEPARTMENT AT **616-842-5330**.

THE MANUFACTURER OF THIS DISPLAY ASSUMES NO LIABILITY FOR INJURY CAUSED BY IMPROPER ASSEMBLY/INSTALLATION OF THIS DISPLAY.

Base End Panel  
Item #291243 (Silver)  
Item #291241 (Black)

## Base End Panels (for 55" height non-telescoping)



1. Identify the left hand panel and right hand panel before you begin.

Note: The side with the smaller channel will face the front of the fixture, while the side with the larger channel will face the back.

## Base End Panels (for 55" height non-telescoping)

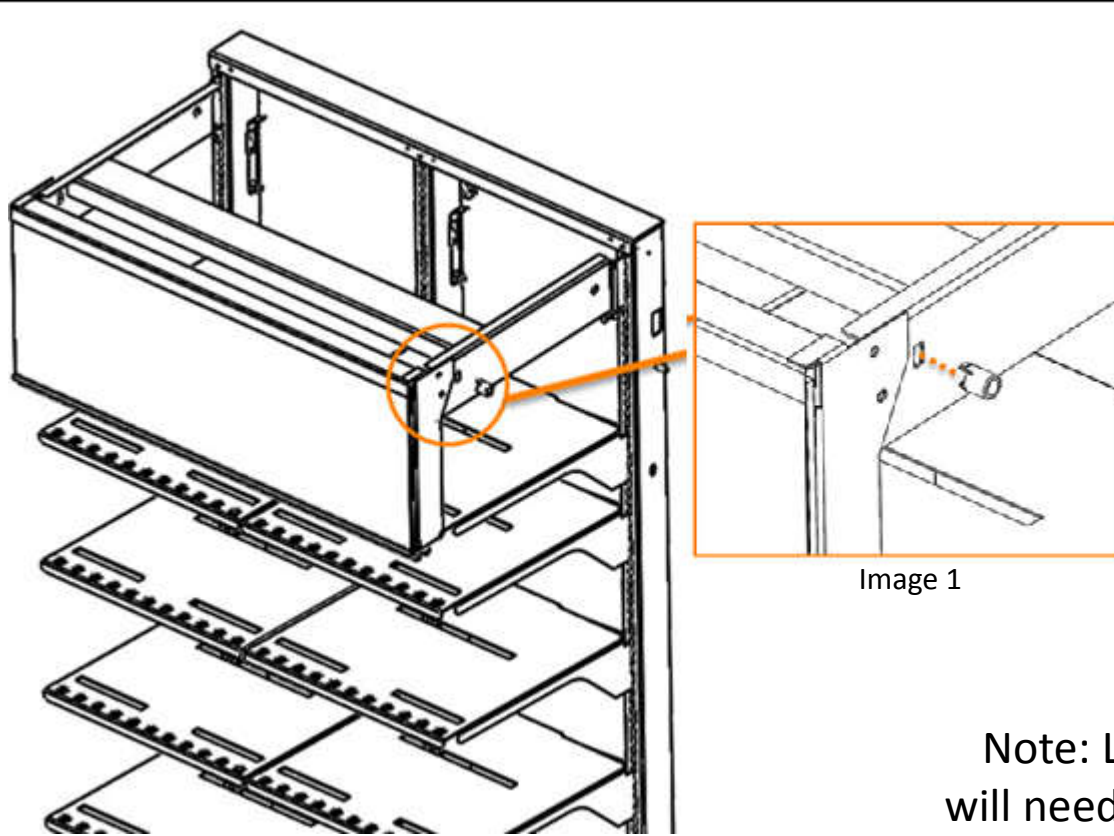


Image 1

1. Install 1/2" spacer on both sides of the header (Image 1).

Note: Left side end panel will need to be placed over stud on the side of the fixture upright. (Image 2)

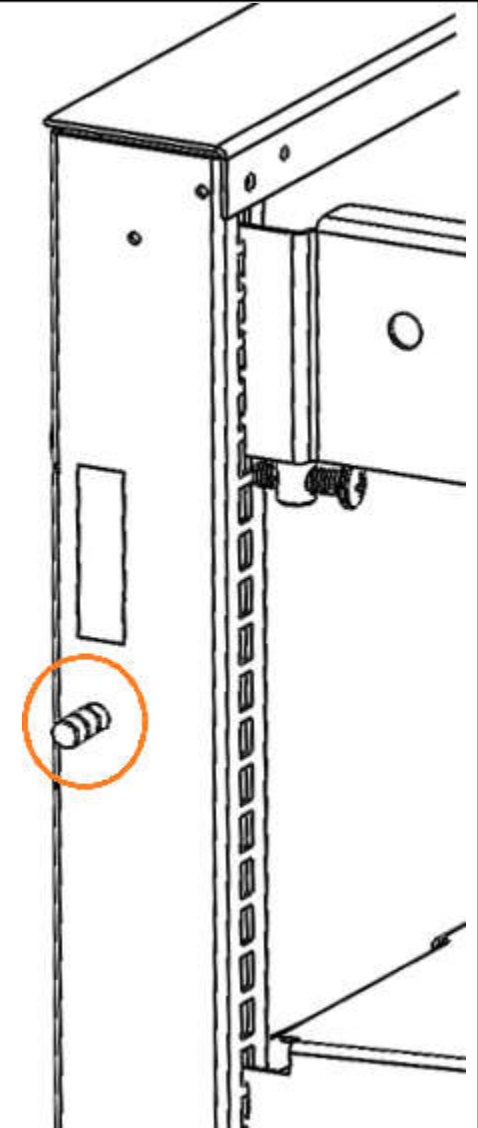
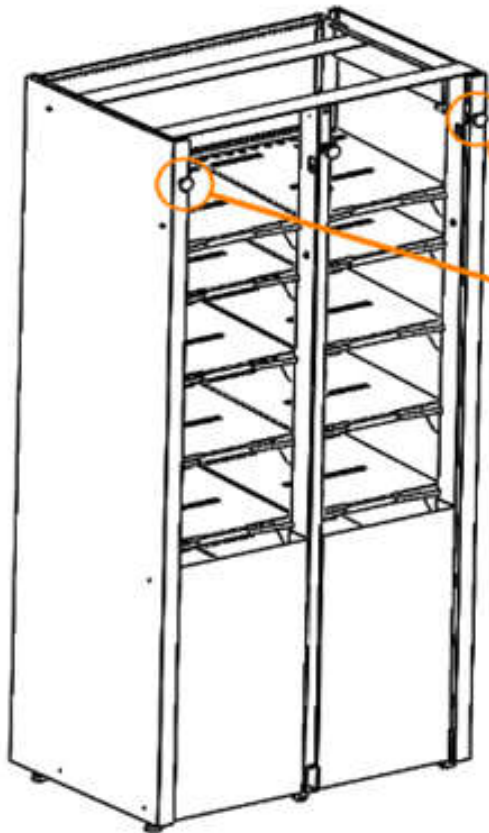


Image 2

## Base End Panels (for 55" height non-telescoping)

1. Remove Lock Knobs on LH and RH uprights (Image 1)

2. Align end panel with the pre-drilled holes on sides of the fixture upright and press into place over the stud for the Lock Knob (Image 2)



BACK

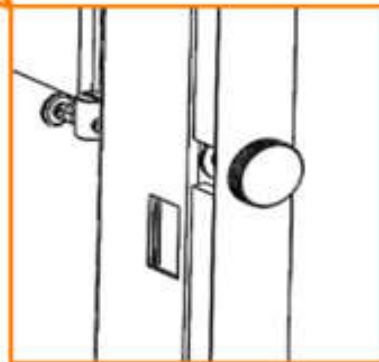
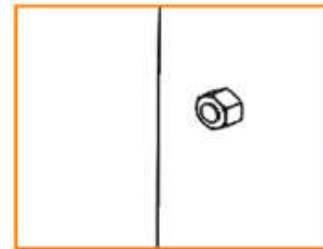


Image 1



(Not used on RH End Panel)

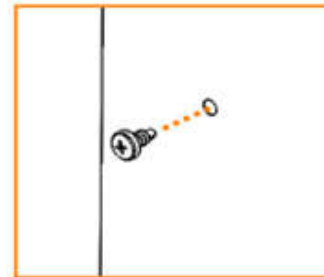
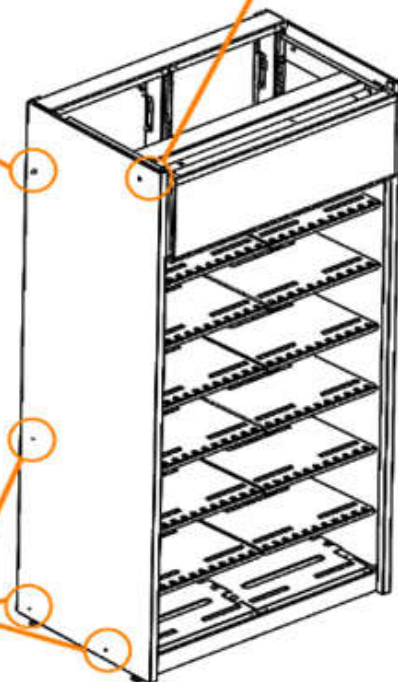
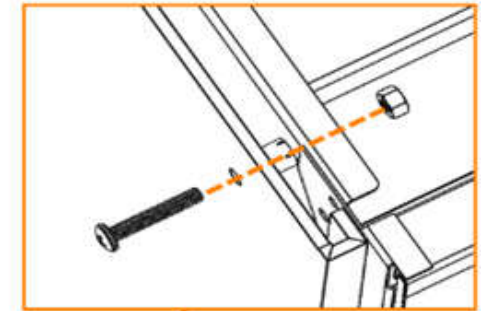


Image 2



FRONT

3. Reinstall Lock Knob, attach (3) screws in lower portion, (1) nut over stud (LH side only), and (1) through-bolt at the header to complete