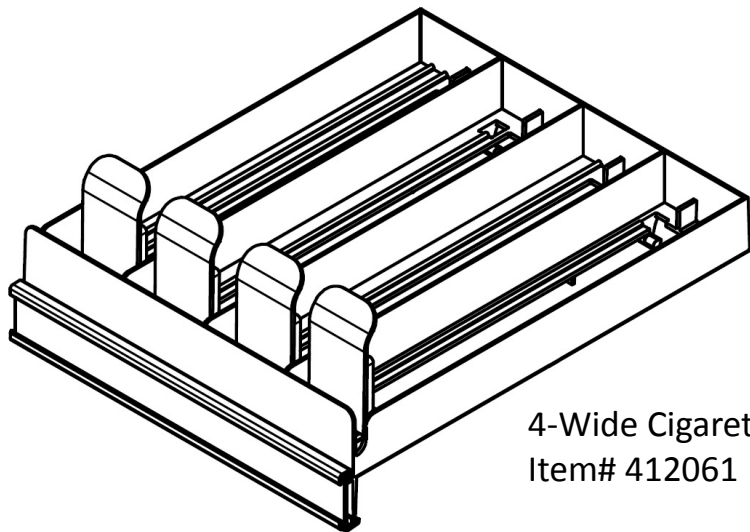
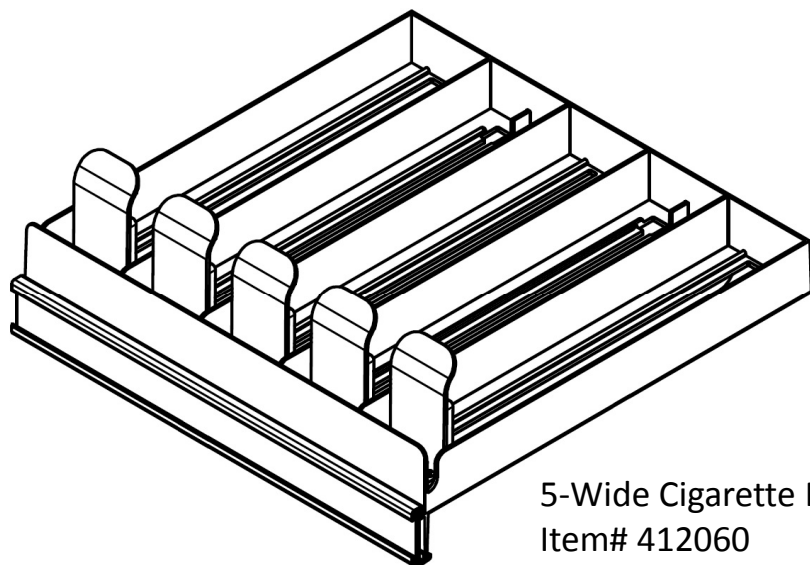


## 5-Wide & 4-Wide Cigarette Pusher Trays



4-Wide Cigarette Pusher Tray  
Item# 412061

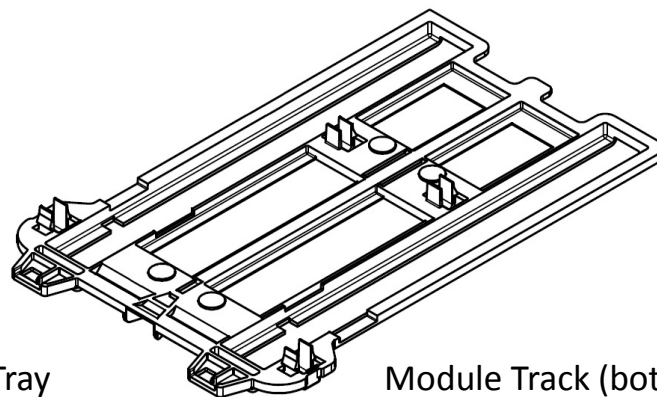


5-Wide Cigarette Pusher Tray  
Item# 412060

### INTRODUCTION:

CAREFULLY READ THE CONTENTS OF THESE INSTRUCTIONS, AS THE INSTRUCTIONS INDICATE THE CORRECT STEP BY STEP PROCEDURE TO ASSEMBLE THE PRODUCT. IN THE EVENT OF ASSEMBLY PROBLEMS OR MISSING PARTS, PLEASE CALL OUR CUSTOMER SERVICE DEPARTMENT AT **616-842-5330**.

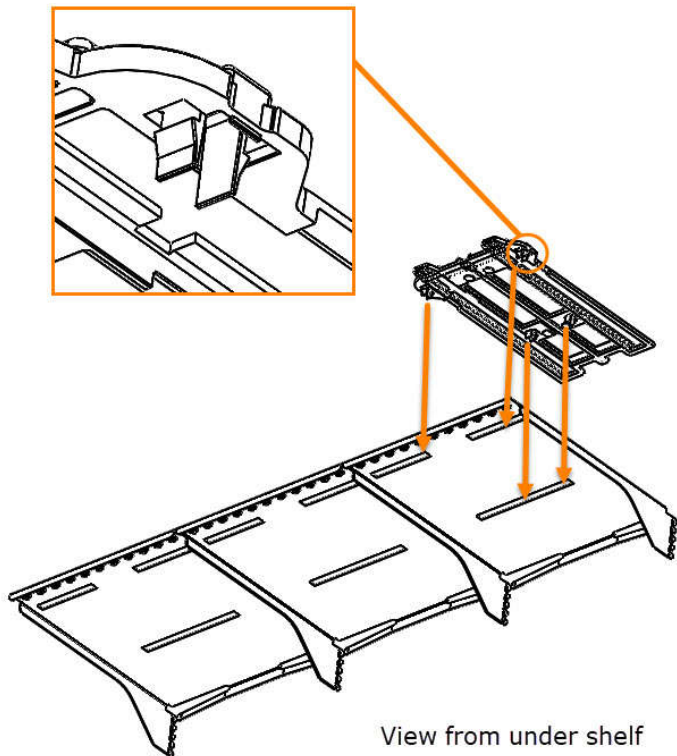
THE MANUFACTURER OF THIS DISPLAY ASSUMES NO LIABILITY FOR INJURY CAUSED BY IMPROPER ASSEMBLY/INSTALLATION OF THIS DISPLAY.



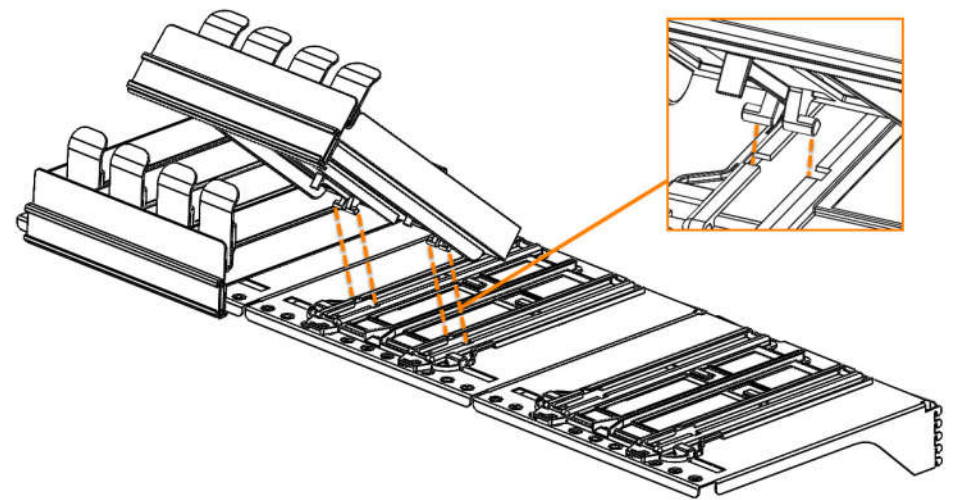
Module Track (bottom side shown)

## 5-Wide & 4-Wide Cigarette Pusher Trays

1. Install Module Track to shelf.  
Press clips (4) into shelf slots until “clicked” in place.



2. Insert tray guides into slots on front of track.



## 5-Wide & 4-Wide Cigarette Pusher Trays

For proper tray/category spacing, a 4-Wide tray must be used at the RIGHT end of the full Cigarette category.

