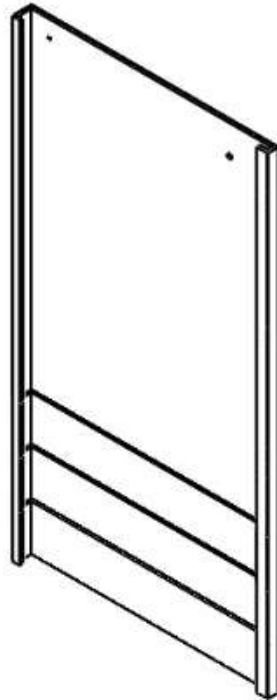


# End Panel Installation for Telescoping Fixtures



LEFT HAND  
UPPER PANEL



RIGHT HAND  
UPPER PANEL

Upper End Panel  
Item #291244 (Silver)  
Item #291242 (Black)

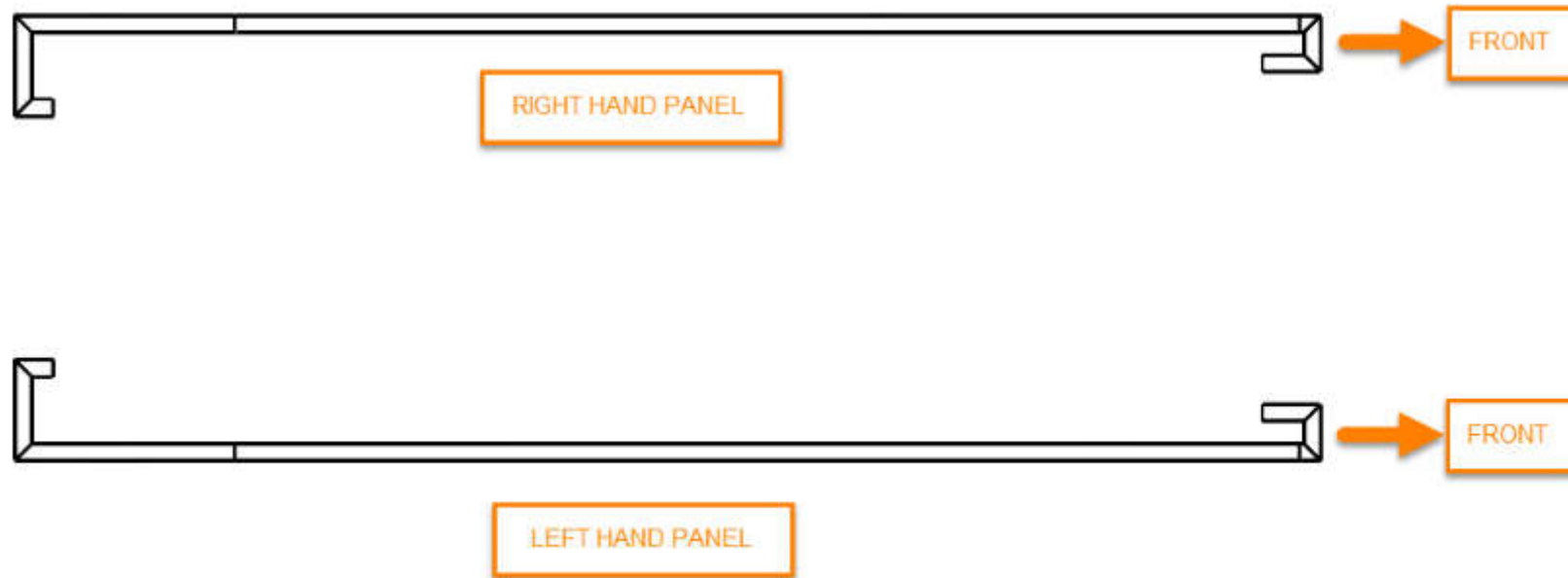
## INTRODUCTION:

CAREFULLY READ THE CONTENTS OF THESE INSTRUCTIONS, AS THE INSTRUCTIONS INDICATE THE CORRECT STEP BY STEP PROCEDURE TO ASSEMBLE THE PRODUCT. IN THE EVENT OF ASSEMBLY PROBLEMS OR MISSING PARTS, PLEASE CALL OUR CUSTOMER SERVICE DEPARTMENT AT **616-842-5330**.

THE MANUFACTURER OF THIS DISPLAY ASSUMES NO LIABILITY FOR INJURY CAUSED BY IMPROPER ASSEMBLY/INSTALLATION OF THIS DISPLAY.

Note: Please see “Adjusting Fixture Height” instructions before attempting to install end panels.

## End Panel Installation for Telescoping Fixtures



1. Identify the left hand panel and right hand panel before you begin.

Note: The side with the smaller channel will face the front of the fixture, while the side with the larger channel will face the back.

# End Panel Installation for Telescoping Fixtures

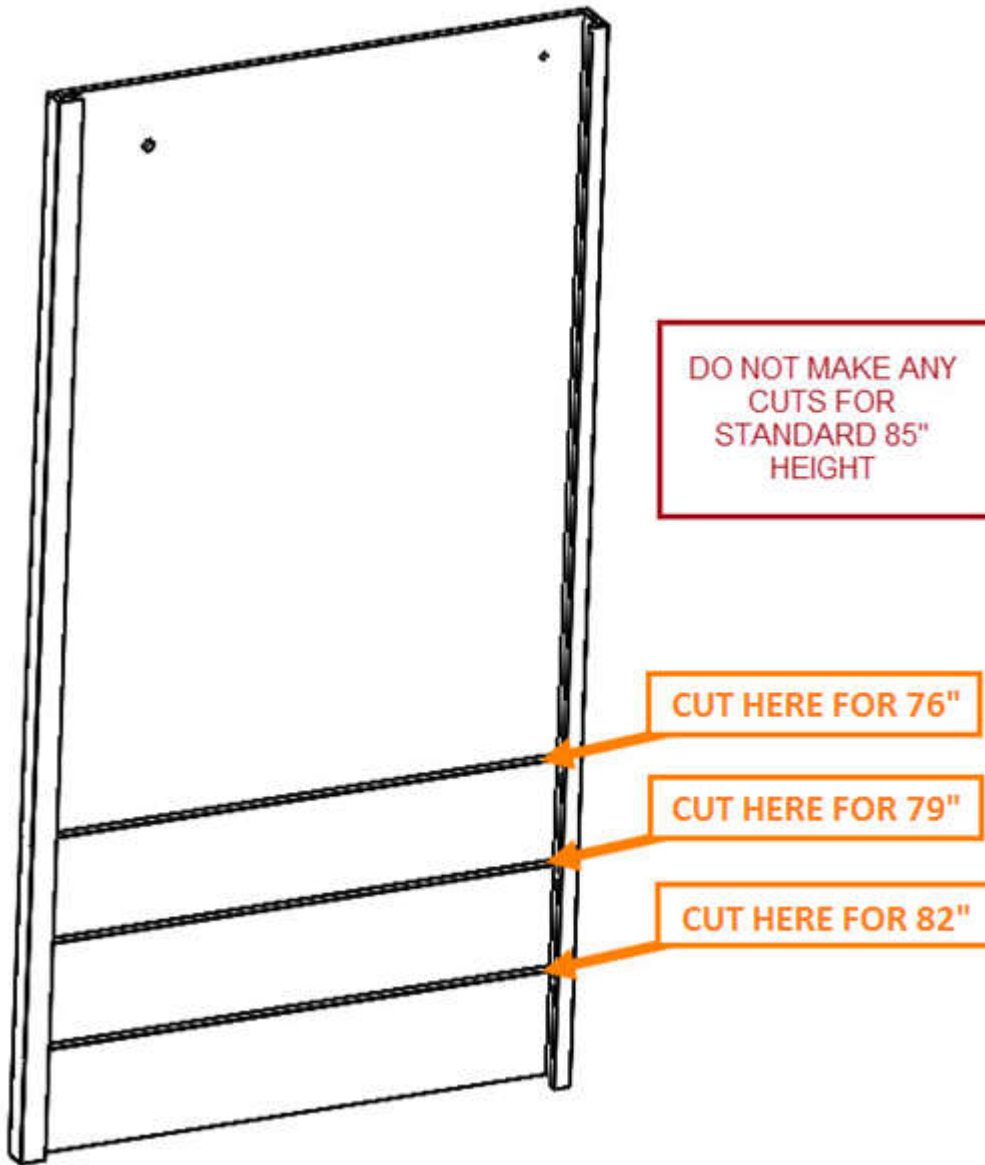


Image 1

1. The miter folds along the bottom half of the upper end panels are set for specific heights. Cut along the correct fold with a utility knife to match your desired fixture height. (Image 1)

Note: DO NOT cut if your fixture is set at standard height (85")

Upper end panels will include an H-Channel to place between the upper and lower end panels (Image 2)

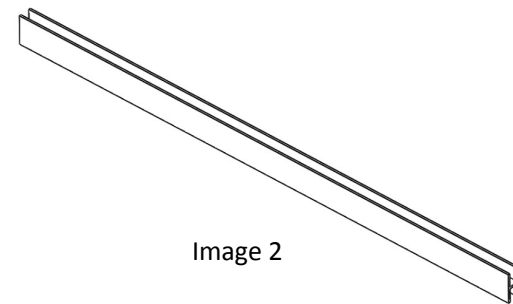


Image 2

## End Panel Installation for Telescoping Fixtures

2. Install ½" spacer on both sides of the header (Image 1)

Note: To install left side base end panel, you will need to remove the nut and spring clip so base end panel can be installed over stud. (Image 2)

Image 1

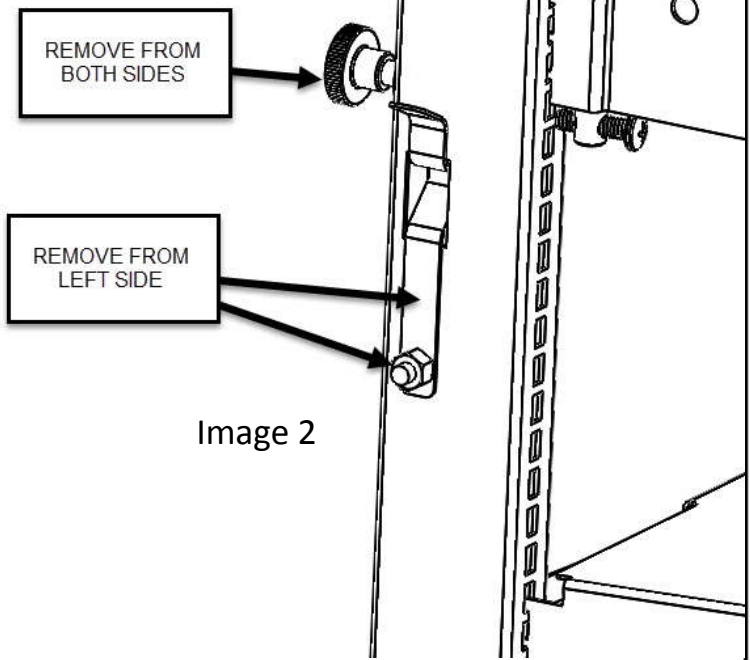
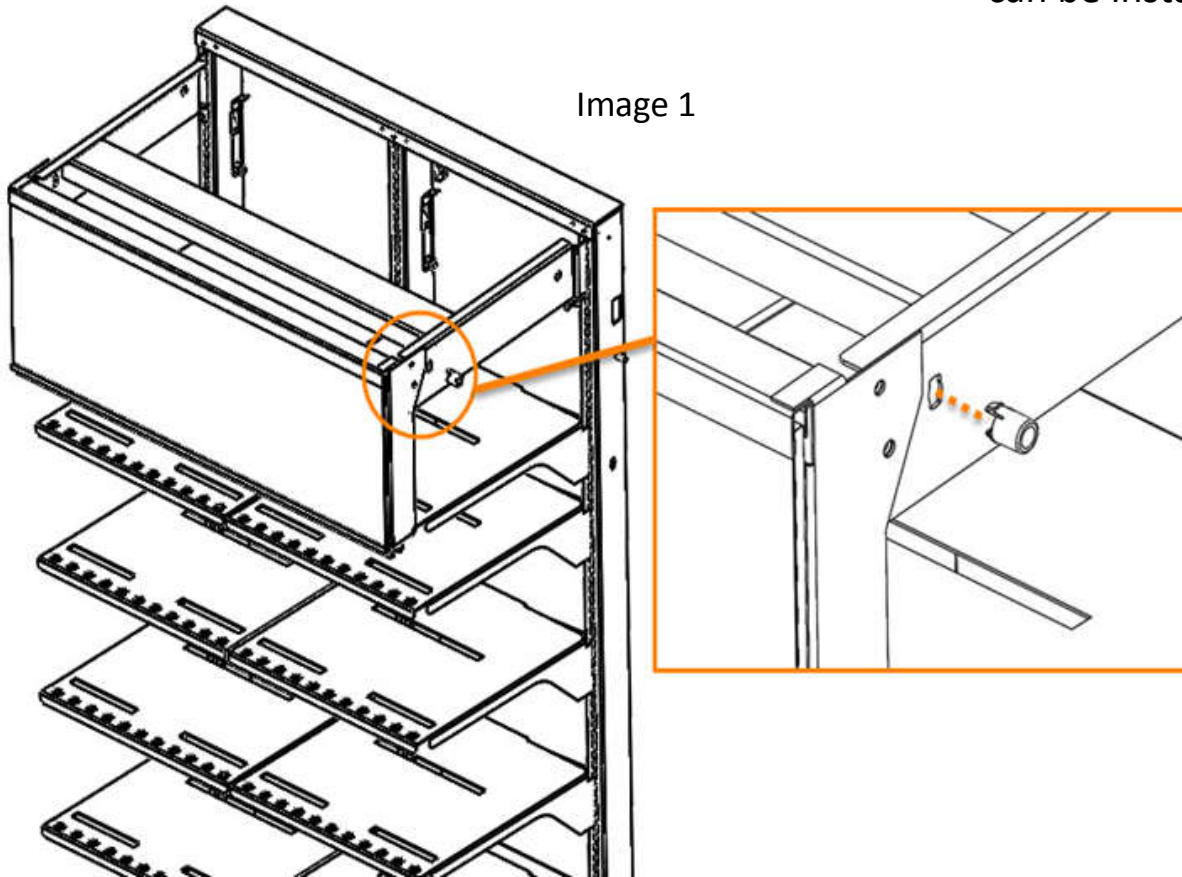
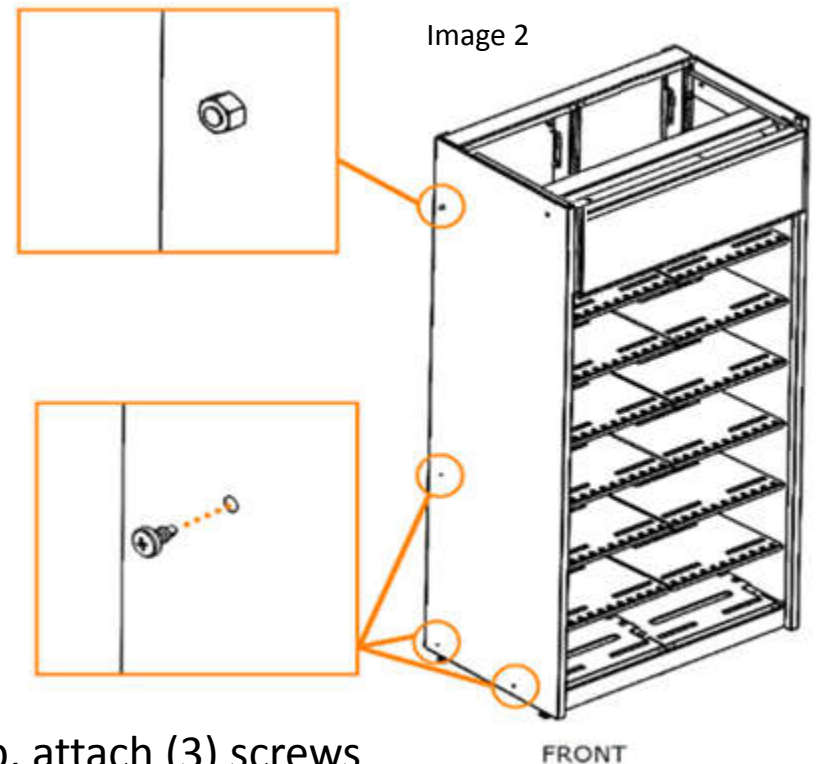
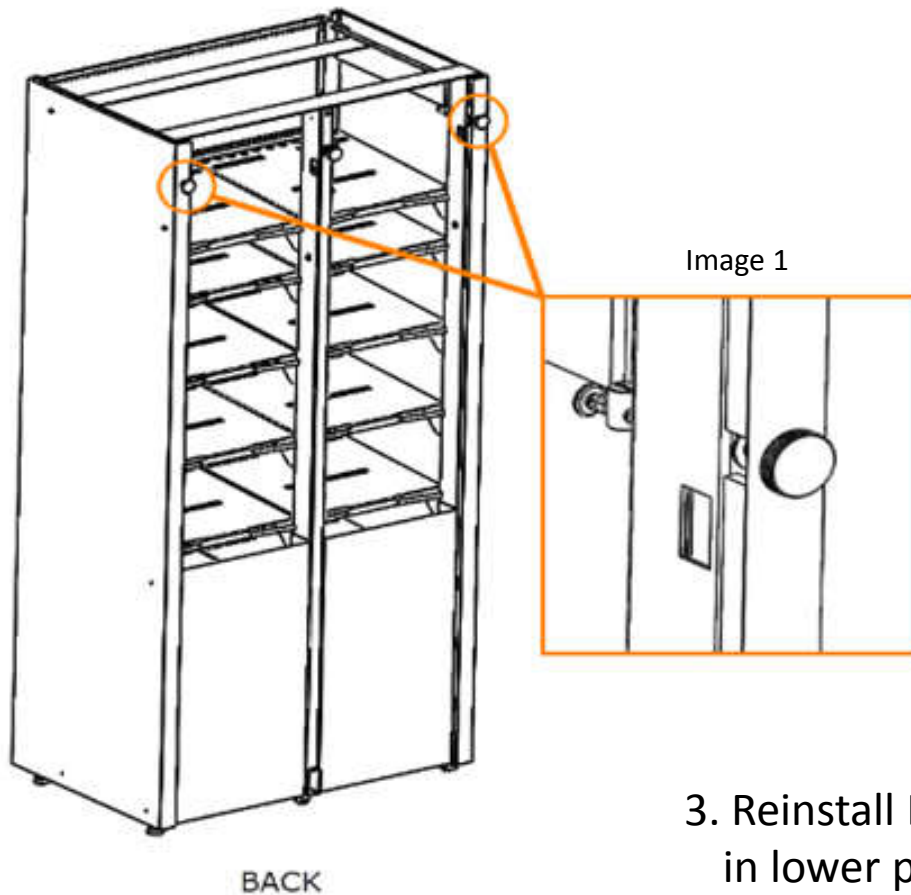


Image 2

## End Panel Installation for Telescoping Fixtures

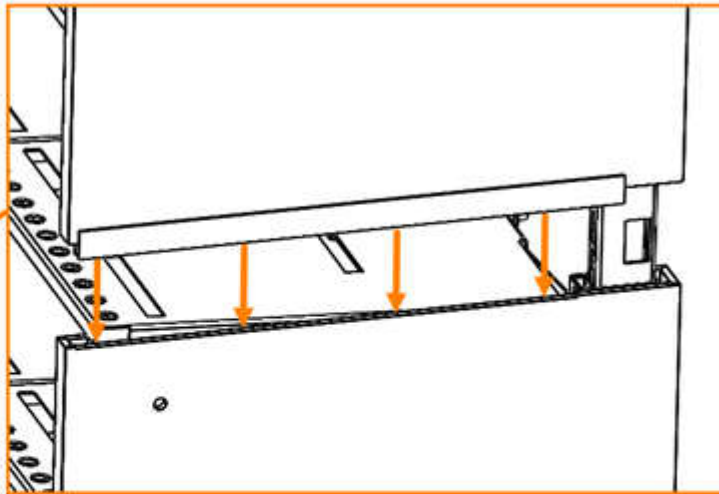
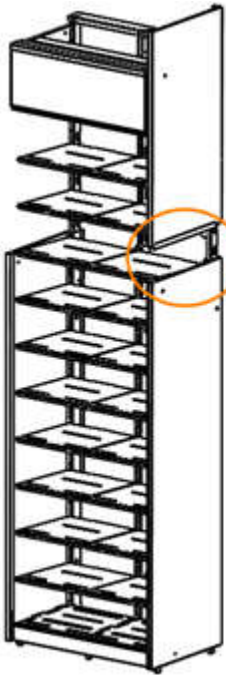
1. Remove Lock Knobs on LH and RH uprights (Image 1)

2. Align end panel with pre-drilled holes on sides of the fixture upright and press into place over the stud for the lock knob (Image 2)



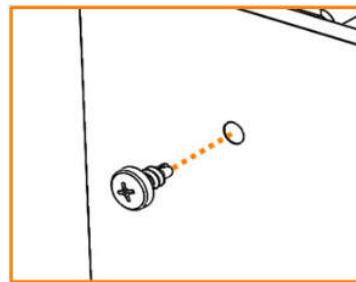
3. Reinstall Lock Knob, attach (3) screws in lower portion and (1) nut over stud (LH Side only)

## End Panel Installation for Telescoping Fixtures



1. After installing base end panels, place H-Channel on top edge of base end panel and lower the upper panel into the H-Channel. (Image 1)

Image 1



2. Attach panel to fixture using (1) screw in upper portion and (1) ¼" through-bolt at the header to complete. (Image 2)

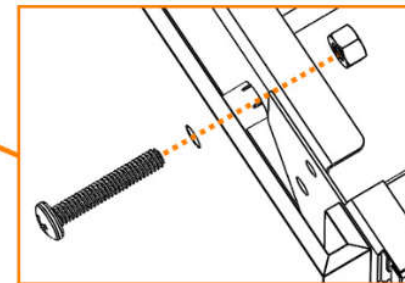


Image 2

