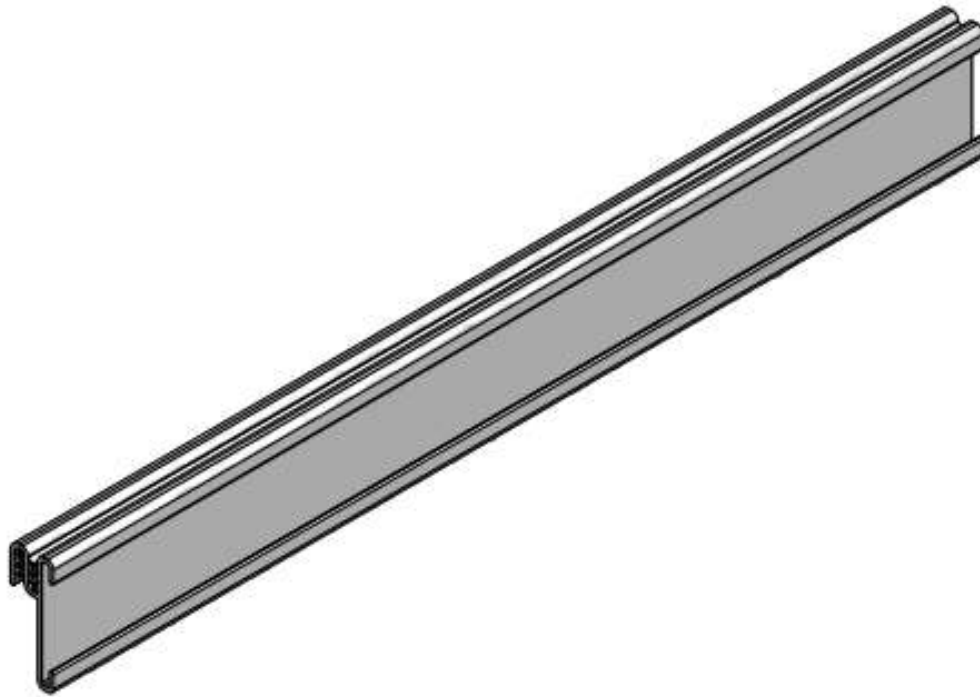


Installing Sign Channels

INTRODUCTION:

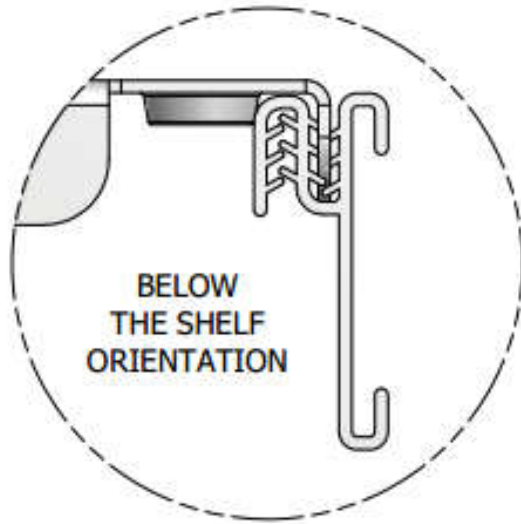
CAREFULLY READ THE CONTENTS OF THESE INSTRUCTIONS, AS THE INSTRUCTIONS INDICATE THE CORRECT STEP BY STEP PROCEDURE TO ASSEMBLE THE PRODUCT. IN THE EVENT OF ASSEMBLY PROBLEMS OR MISSING PARTS, PLEASE CALL OUR CUSTOMER SERVICE DEPARTMENT AT **616-842-5330**.



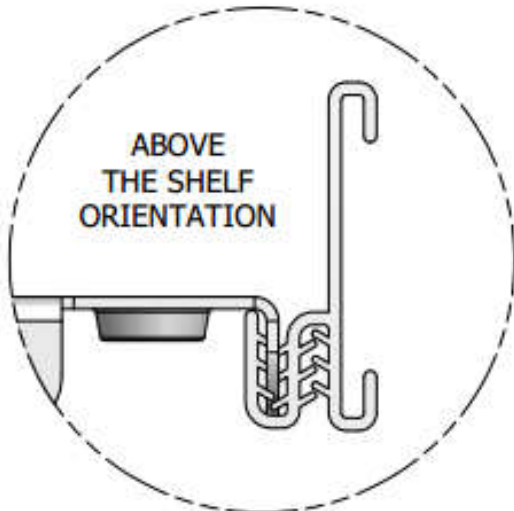
Sign Channel
Item# 291249

THE MANUFACTURER OF THIS DISPLAY ASSUMES NO LIABILITY FOR INJURY CAUSED BY IMPROPER ASSEMBLY/INSTALLATION OF THIS DISPLAY.

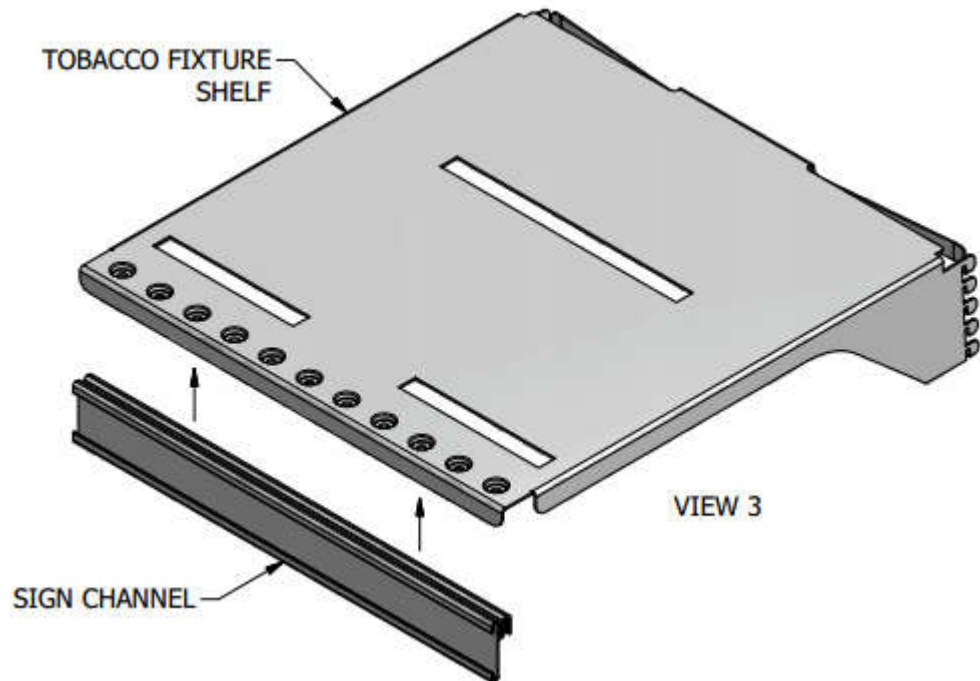
Installing Sign Channels



VIEW 1



VIEW 2



INSTALLATION

1. Determine the orientation of the sign channel on the fixture shelves, below the shelf (View 1) or above the shelf (View 2)
2. Carefully press sign channel onto the front lip of the first shelf so that it is fully seated (View 3)
3. Repeat Step 2 for additional shelves