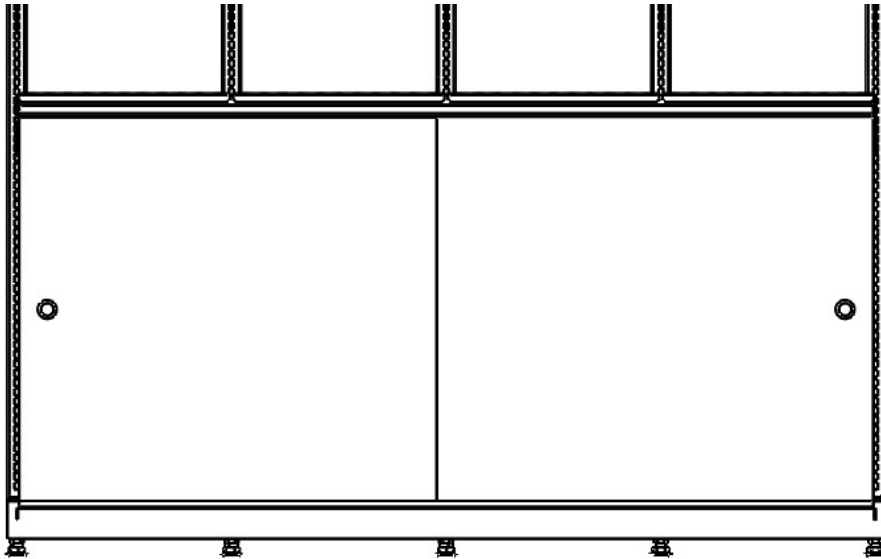


Sliding Storage Doors



INTRODUCTION:

CAREFULLY READ THE CONTENTS OF THESE INSTRUCTIONS, AS THE INSTRUCTIONS INDICATE THE CORRECT STEP BY STEP PROCEDURE TO ASSEMBLE THE PRODUCT. IN THE EVENT OF ASSEMBLY PROBLEMS OR MISSING PARTS, PLEASE CALL OUR CUSTOMER SERVICE DEPARTMENT AT **616-842-5330**.

THE MANUFACTURER OF THIS DISPLAY ASSUMES NO LIABILITY FOR INJURY CAUSED BY IMPROPER ASSEMBLY/INSTALLATION OF THIS DISPLAY.

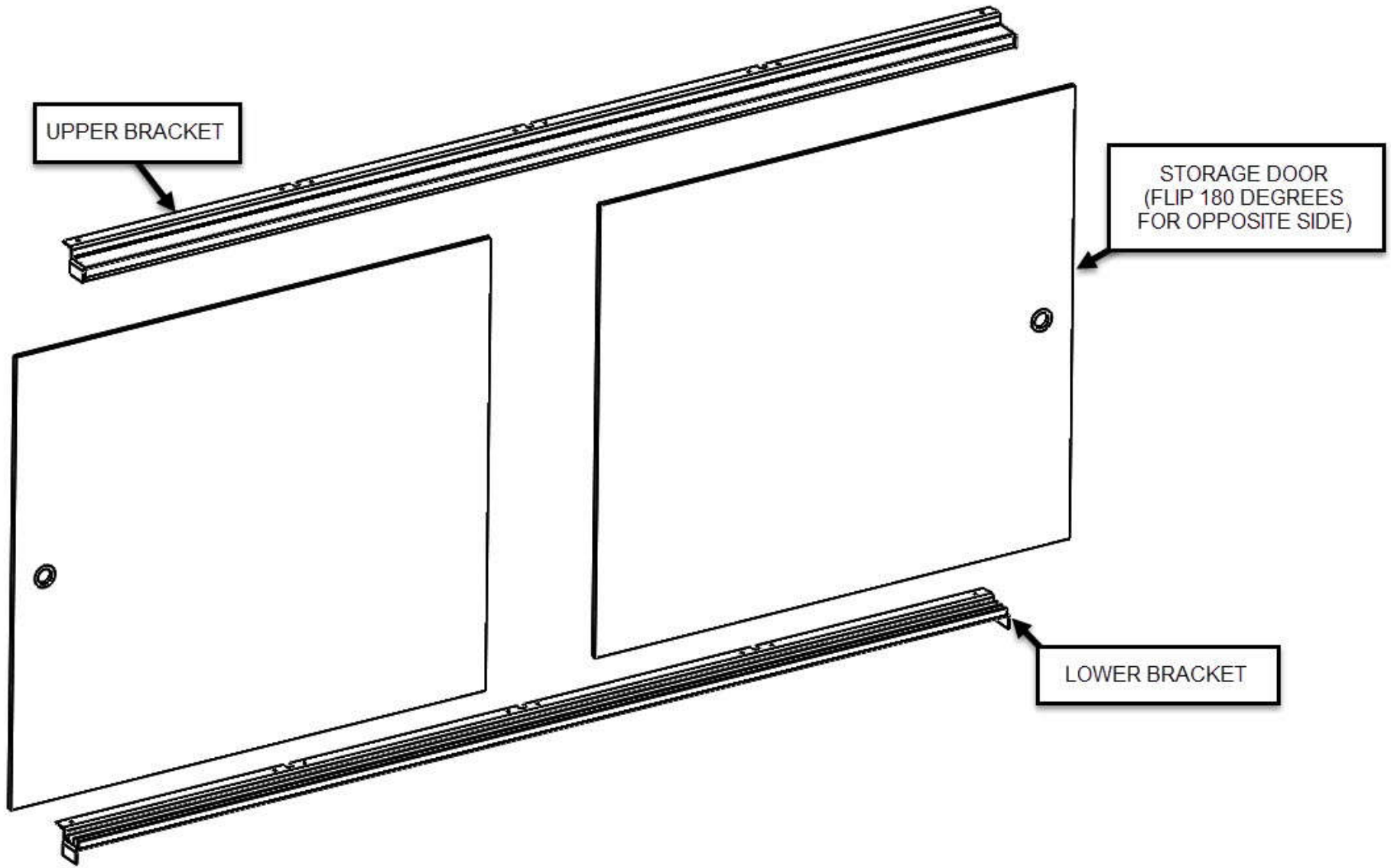
Sliding Storage Doors in Silver:

- 2' Door Set Item # 291153
- 3' Door Set Item # 291154
- 4' Door Set Item #291155

Sliding Storage Doors in Black:

- 2' Door Set Item # 291150
- 3' Door Set Item # 291151
- 4' Door Set Item #291152

Sliding Storage Doors



Sliding Storage Doors

1. To attach upper sliding door track, align door track under front lip of shelves with track facing down. Attach with screw in the first and last hole on each shelf. (Image 1)

Image 1

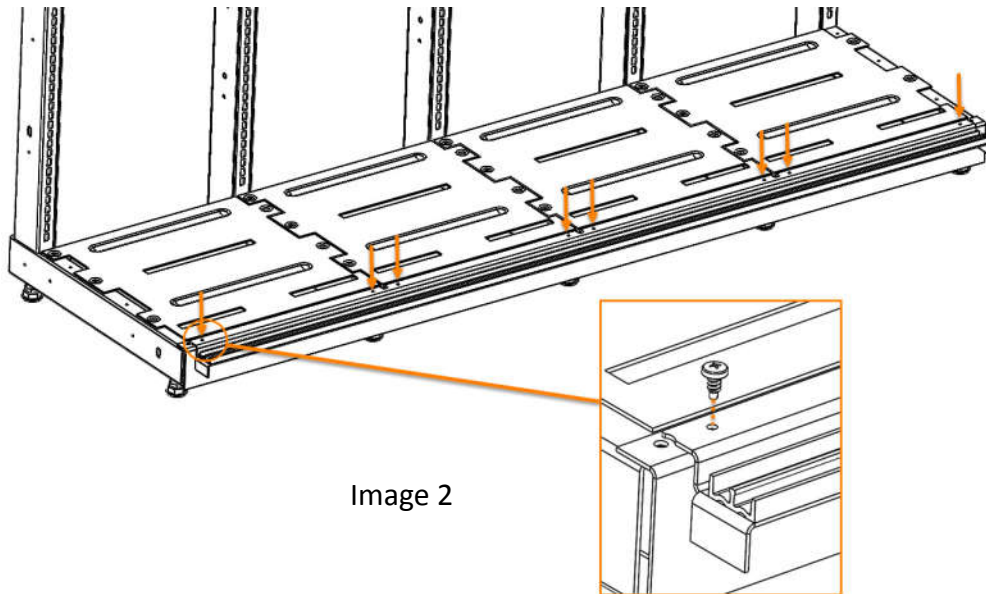
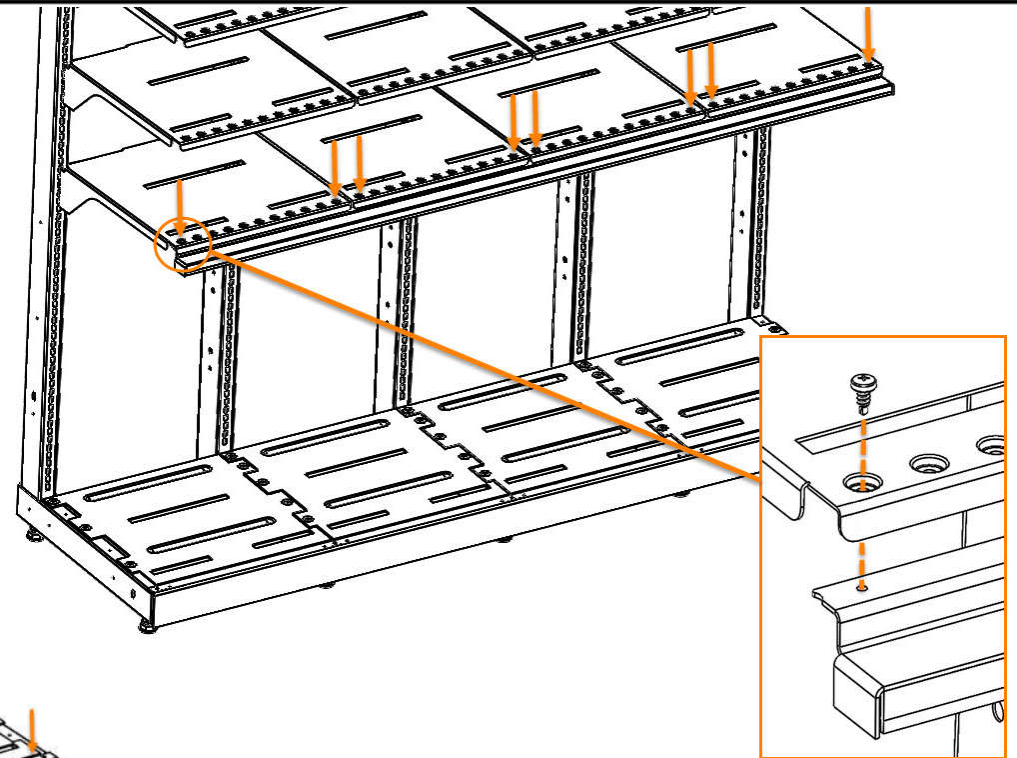
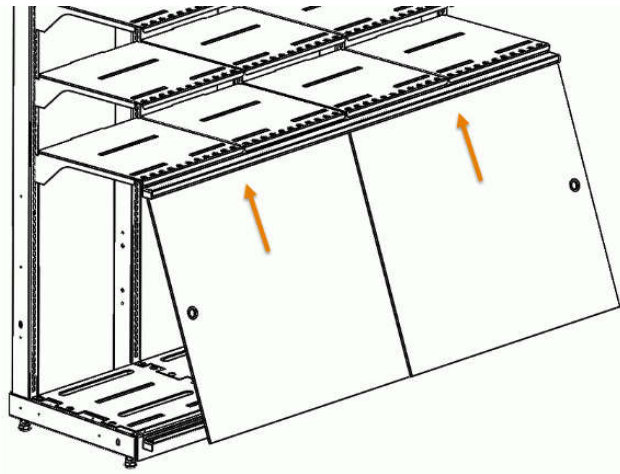


Image 2

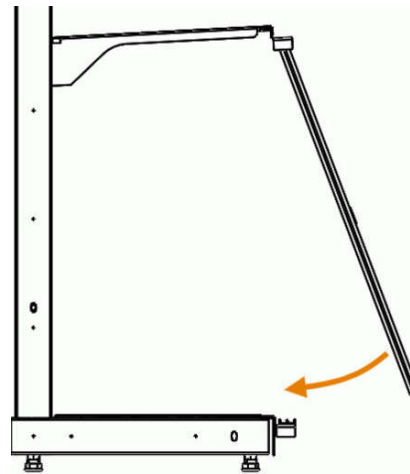
2. To attach lower sliding door track, align holes in track with holes at base of fixture with track face up. Insert screws as shown. (Image 2)

Sliding Storage Doors



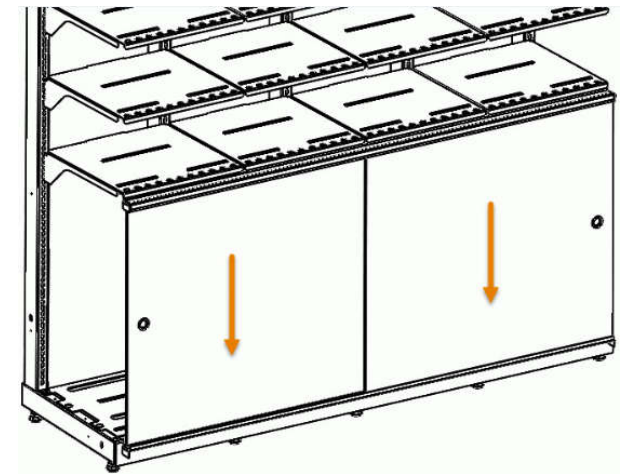
Step 1

1. Insert panel into channel of upper track.



Step 2

2. Rotate door panel to align with matching lower channel. (Back channel to back channel, front channel to front channel)



Step 3

3. Lower door panel into matching channel. (Repeat process for second door panel)

Note: Finger pulls should be to the outside of track (as shown)