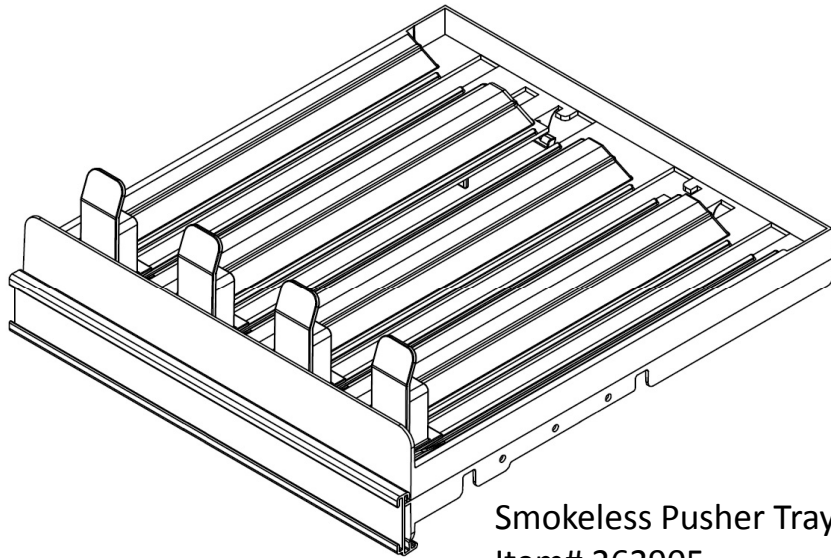


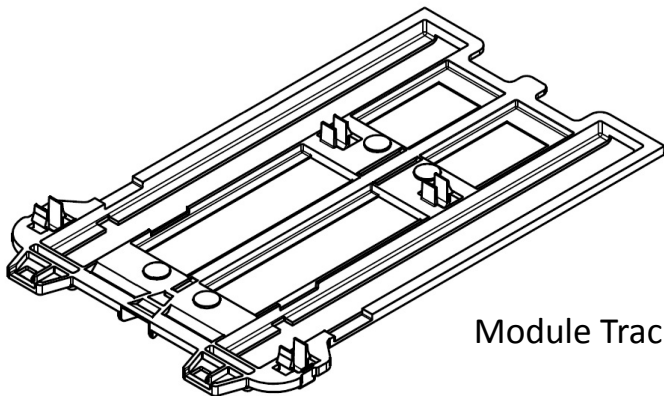
# Smokeless Pusher Tray



Smokeless Pusher Tray  
Item# 262905

INTRODUCTION:  
CAREFULLY READ THE CONTENTS OF THESE INSTRUCTIONS, AS THE INSTRUCTIONS INDICATE THE CORRECT STEP BY STEP PROCEDURE TO ASSEMBLE THE PRODUCT. IN THE EVENT OF ASSEMBLY PROBLEMS OR MISSING PARTS, PLEASE CALL OUR CUSTOMER SERVICE DEPARTMENT AT **616-842-5330**.

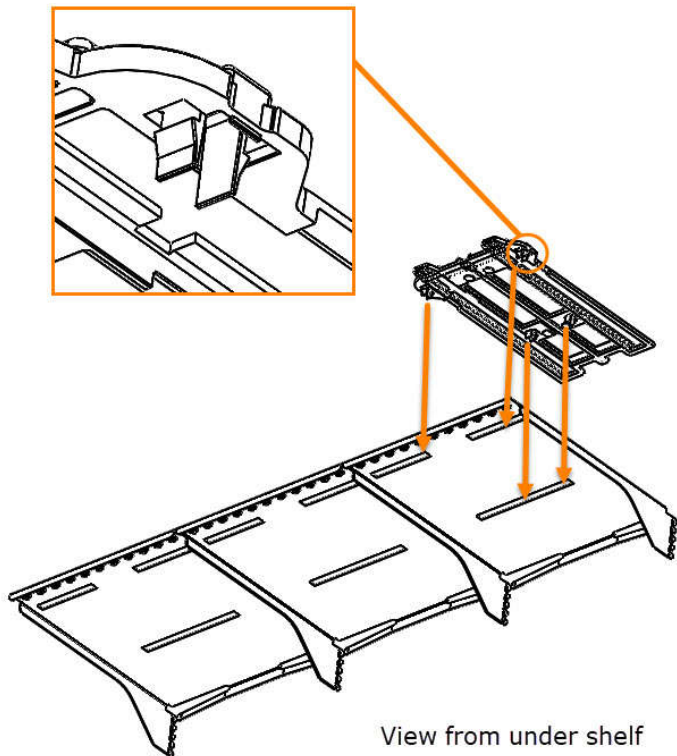
THE MANUFACTURER OF THIS DISPLAY ASSUMES NO LIABILITY FOR INJURY CAUSED BY IMPROPER ASSEMBLY/INSTALLATION OF THIS DISPLAY.



Module Track (bottom side shown)

# Smokeless Pusher Tray

1. Install Module Track to shelf.  
Press clips (4) into shelf slots until “clicked” in place.



2. Insert tray guides into slots on front of track.

