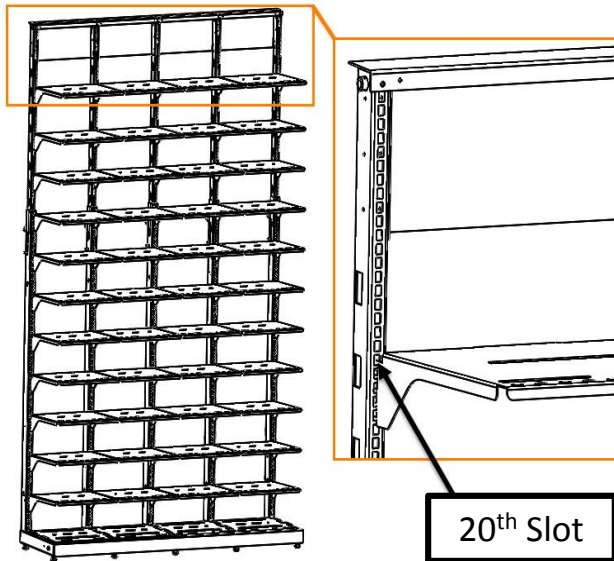


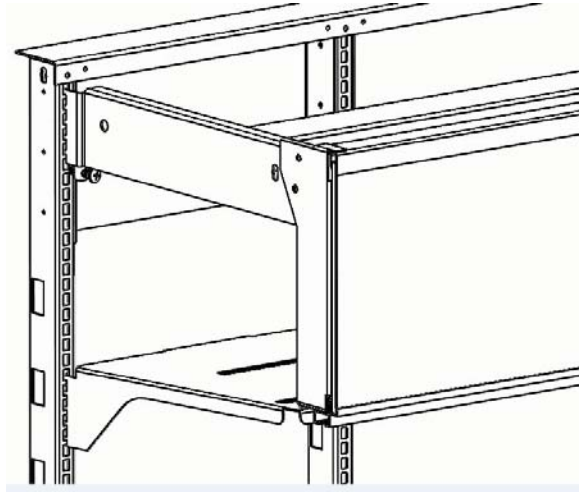
# Header Installation

Headers are fixture width specific (ie. 2' LED Header must install on a 2' Fixture)

1.) Top row of shelves placed in 20<sup>th</sup> slot below Fixture Top Cap.

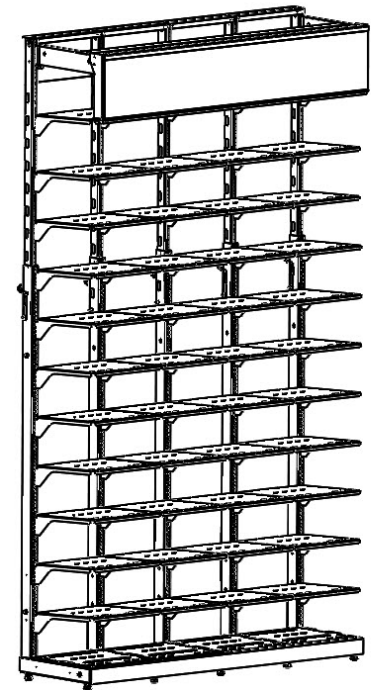


2.) Insert Header Assembly into Upright.



3.) Tighten Dowel Nut\*

4.) Route cables and power. Plug into available outlet, or included power strip.



\*Overtightening Dowel Nut may result in damage to Header Assembly teeth, or Dowel Nut itself.