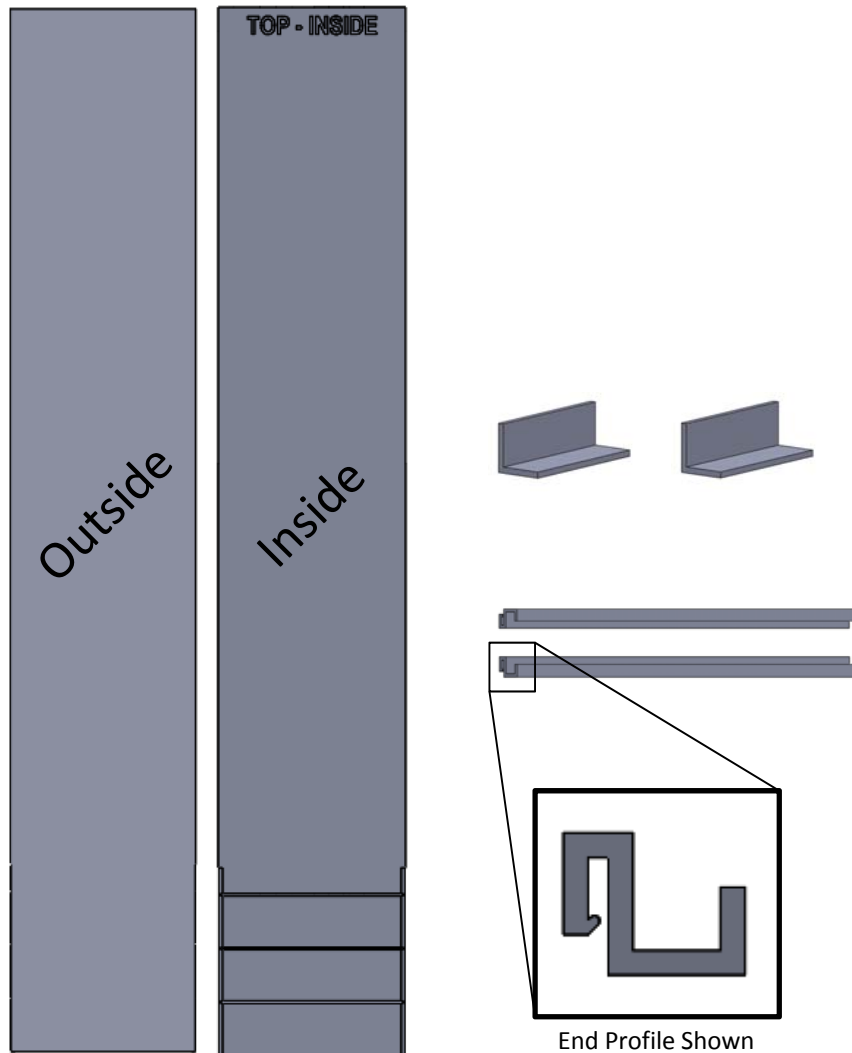


# Telescoping Fixture Back Panel Installation



## INTRODUCTION:

CAREFULLY READ THE CONTENTS OF THESE INSTRUCTIONS, AS THE INSTRUCTIONS INDICATE THE CORRECT STEP BY STEP PROCEDURE TO ASSEMBLE THE PRODUCT. IN THE EVENT OF ASSEMBLY PROBLEMS OR MISSING PARTS, PLEASE CALL OUR CUSTOMER SERVICE DEPARTMENT AT **616-842-5330**.

THE MANUFACTURER OF THIS DISPLAY ASSUMES NO LIABILITY FOR INJURY CAUSED BY IMPROPER ASSEMBLY/INSTALLATION OF THIS DISPLAY.

## INF STD BACK PANEL KIT

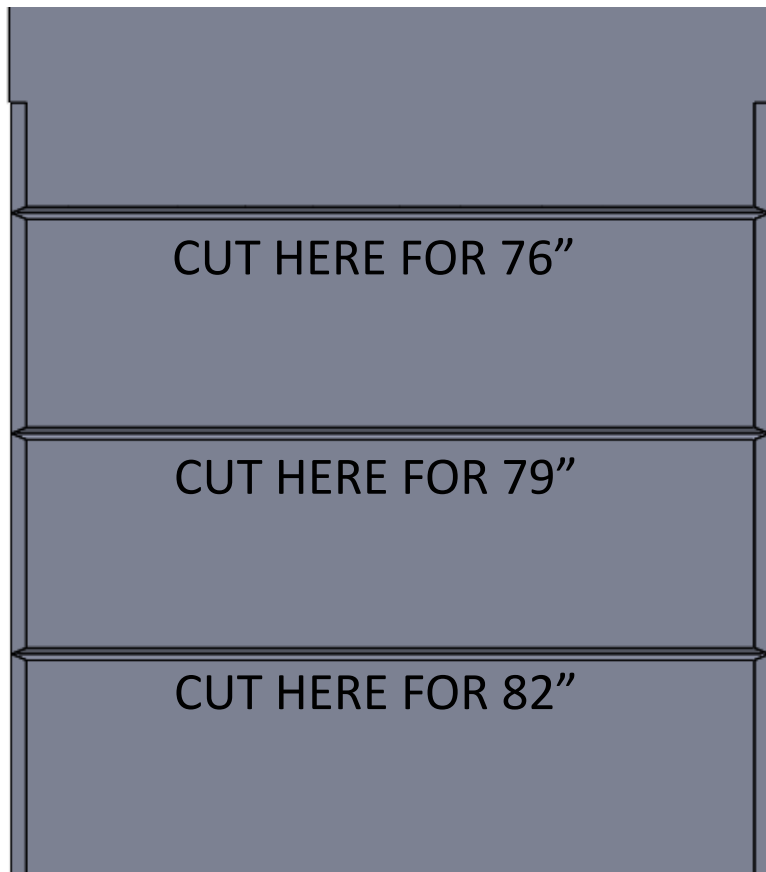
ITEM # 291416 (BLACK)

ITEM # 291417 (SILVER)

Telescoping End Panels install on fixture set to 85", 82", 79", or 76" heights.  
Please contact Harbor Convenience Retail for other back panel needs.

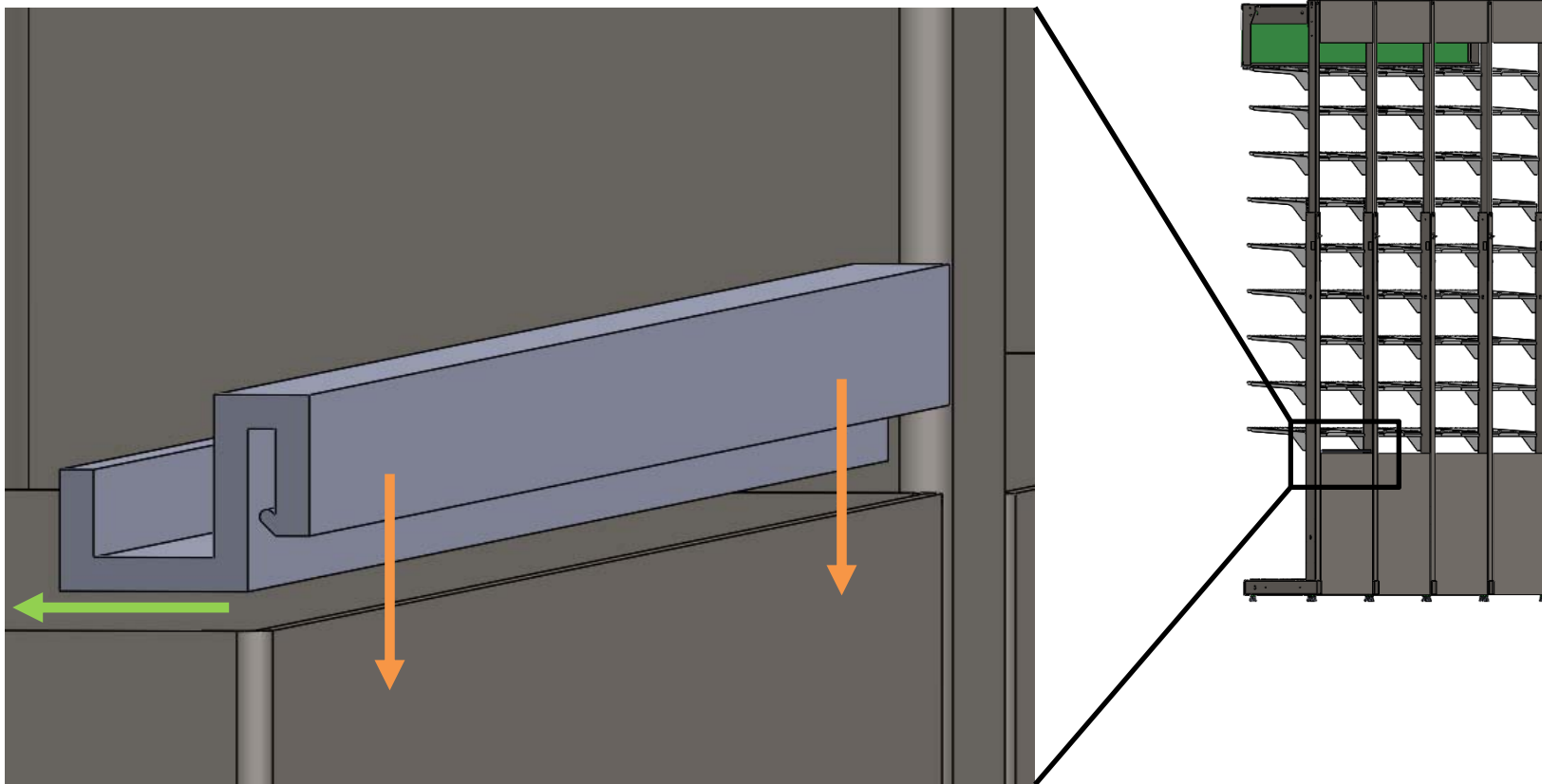
## Telescoping Fixture Back Panel Installation

**Prior to installing back panel fixtures must be set to final fixture height.**



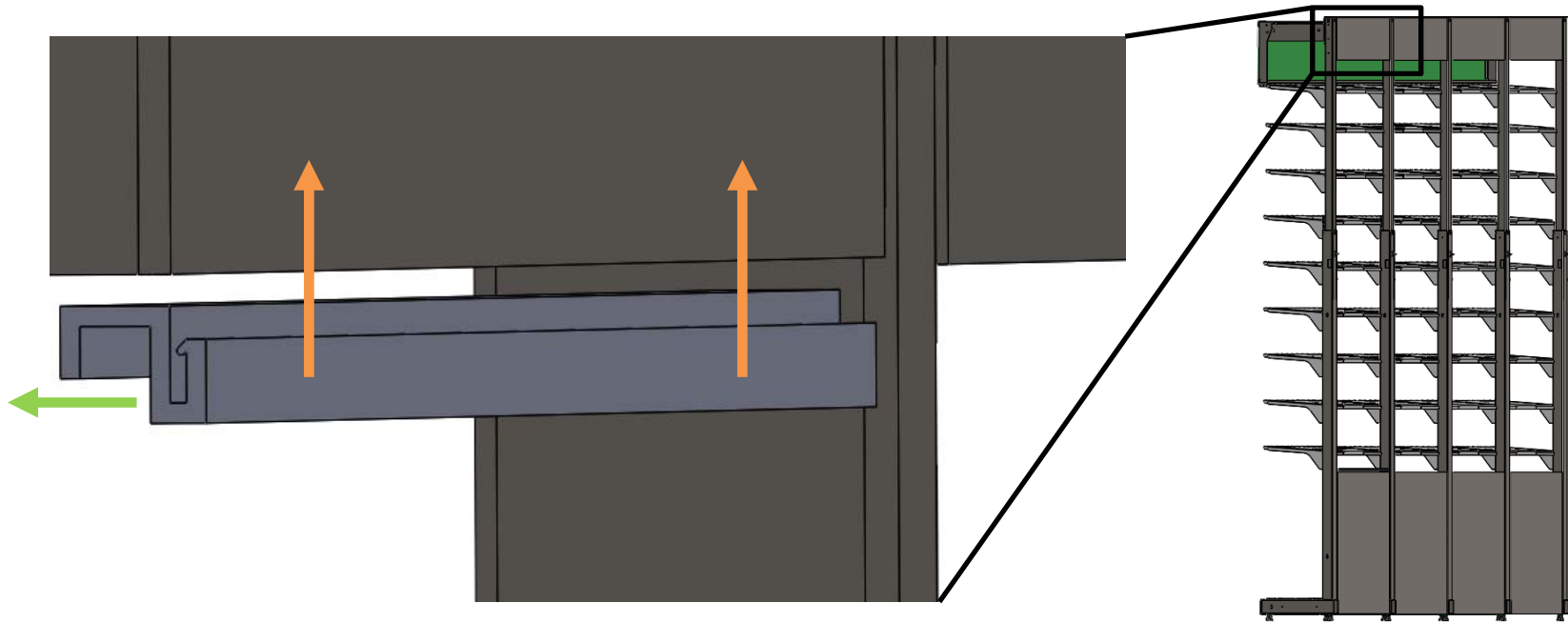
Use a utility knife to trim back panel to match overall fixture height. Cut along the provided groove and remove excess section to match opening on back of fixture.

## Telescoping Fixture Back Panel Installation



Place one of the channels onto the lower stability panel. Wide part of channel should be facing to the front of the fixture.

## Telescoping Fixture Back Panel Installation



Place second channel onto the upper stability panel. Wide part of channel should be facing to the front of the fixture.

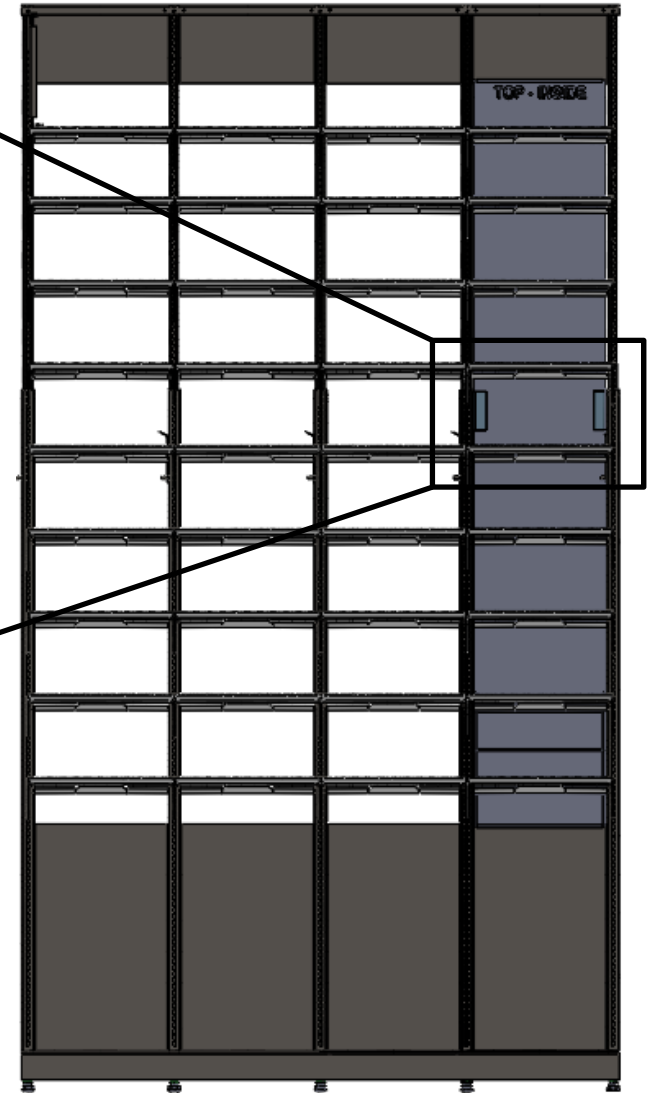
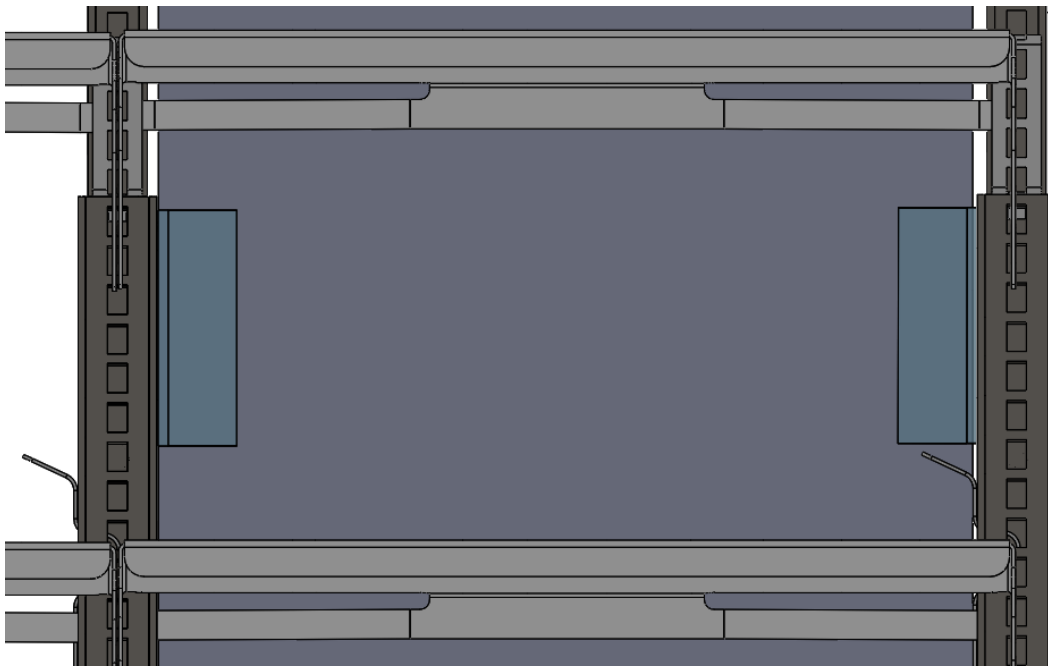
## Telescoping Fixture Back Panel Installation



Insert back panel into wide channel on lower stability panel and top into wide channel on upper stability panel. Inside of panel should face front of fixture.



## Telescoping Fixture Back Panel Installation



Remove backing from tape on support brackets. Secure brackets to uprights and panel at the middle of the back panel for best support.

*Repeat steps for all back panels.*