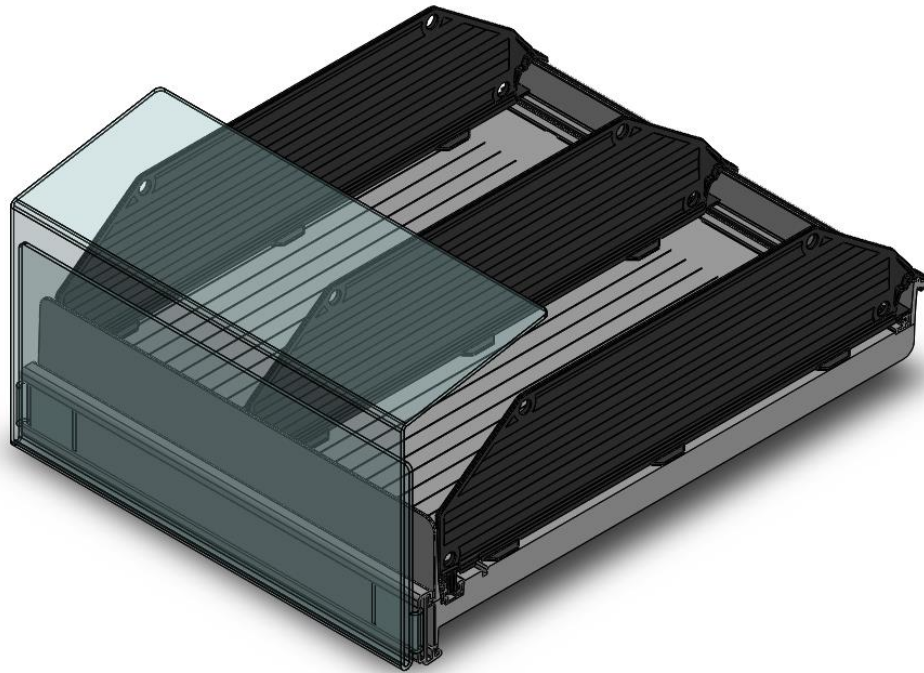


# Lottery Tray Assembly



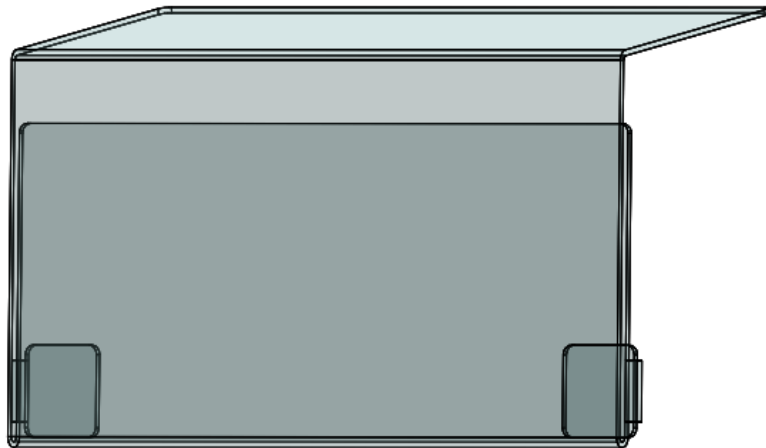
INTRODUCTION:  
CAREFULLY READ THE CONTENTS OF THESE INSTRUCTIONS, AS THE INSTRUCTIONS INDICATE THE CORRECT STEP BY STEP PROCEDURE TO ASSEMBLE THE PRODUCT. IN THE EVENT OF ASSEMBLY PROBLEMS OR MISSING PARTS, PLEASE CALL OUR CUSTOMER SERVICE DEPARTMENT AT **616-842-5330**.

THE MANUFACTURER OF THIS DISPLAY ASSUMES NO LIABILITY FOR INJURY CAUSED BY IMPROPER ASSEMBLY/INSTALLATION OF THIS DISPLAY.

**LOTTERY TRAY ASSEMBLY**

ITEM# 291250

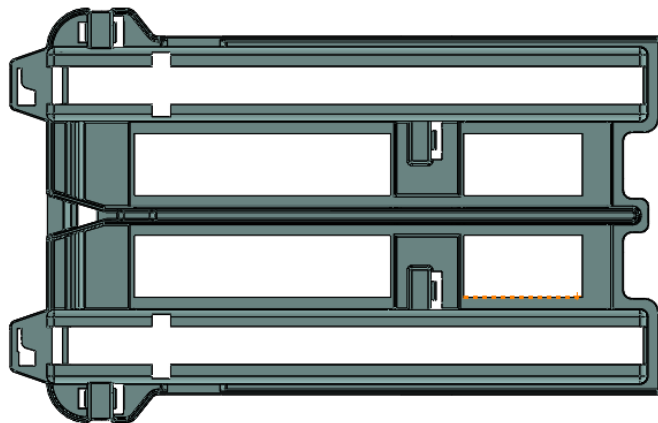
# Lottery Tray Assembly



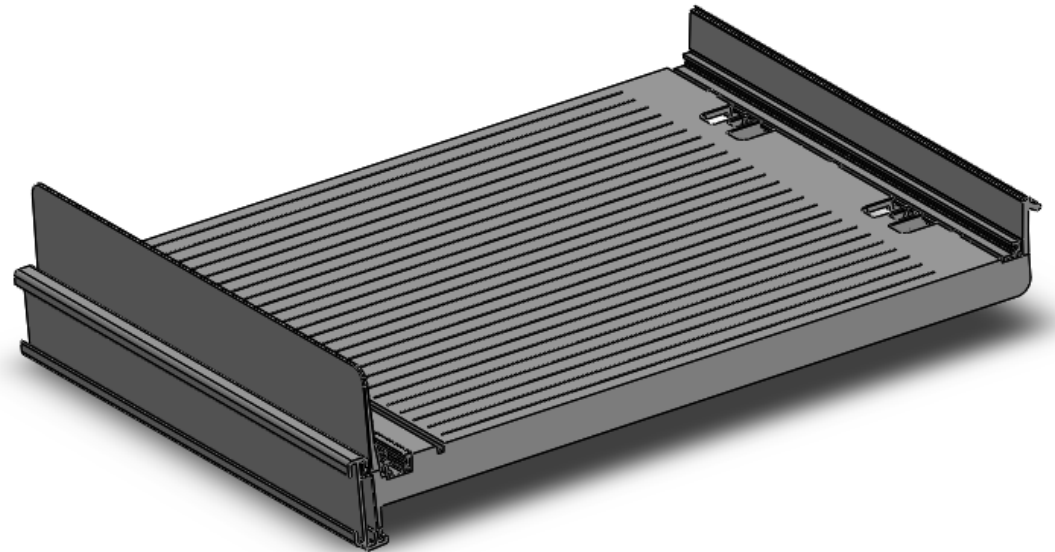
Lottery Tray Front (x1)



Divider (x3)

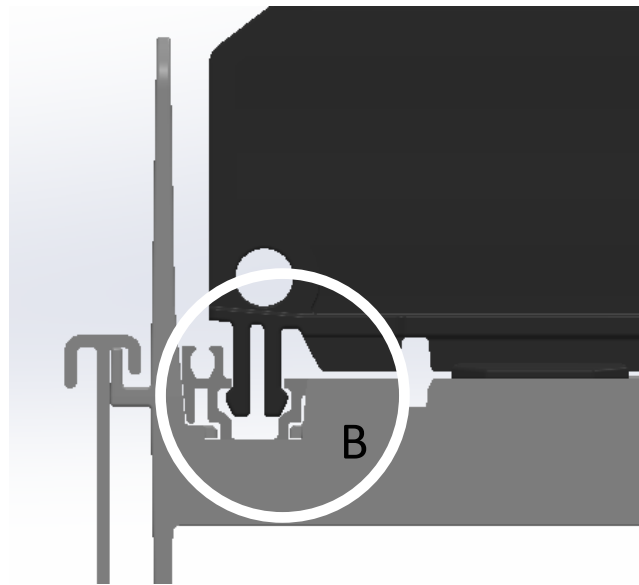


Module Track (x1)

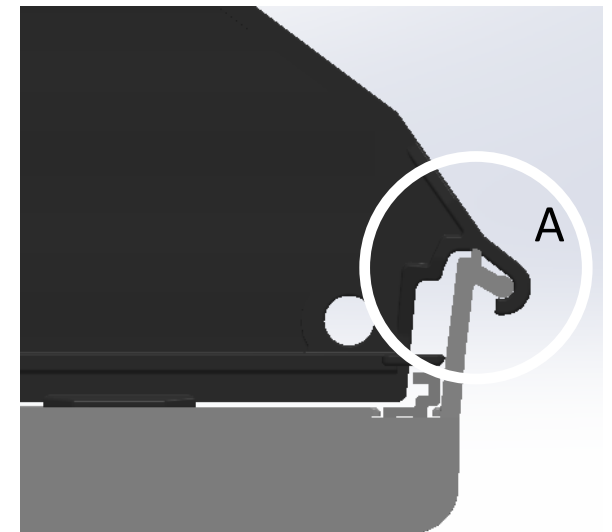


Lottery Tray Base (x1)

# Lottery Tray Assembly

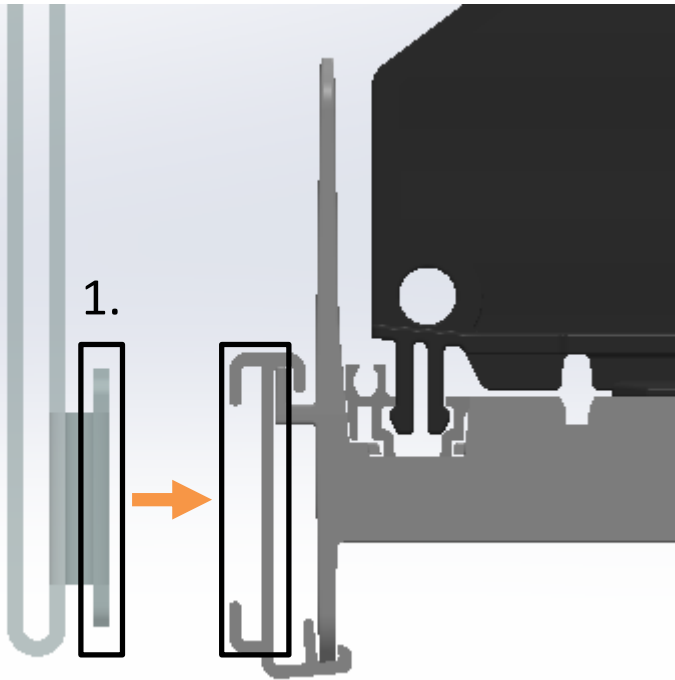


Install dividers by hooking around back of tray (A) and snapping into front channel (B).



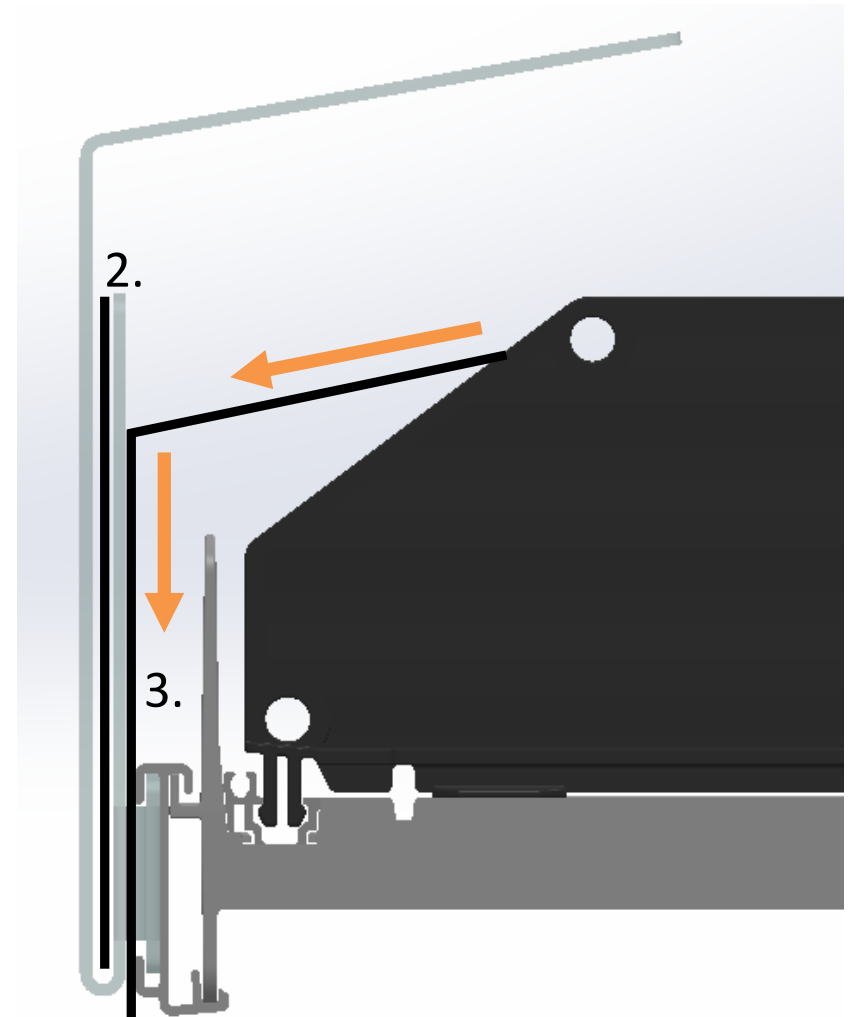
# Lottery Tray Assembly

1. Slide tabs on Lottery Tray Front into Sign Channel on tray.

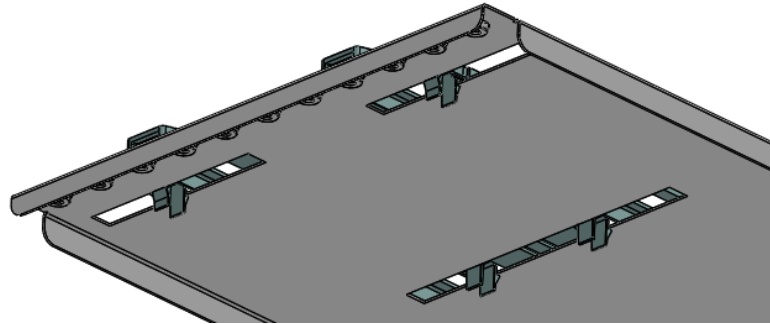
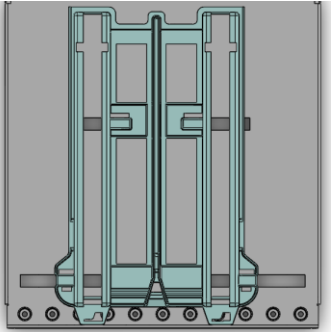


2. Display tickets are held in Lottery Tray Front

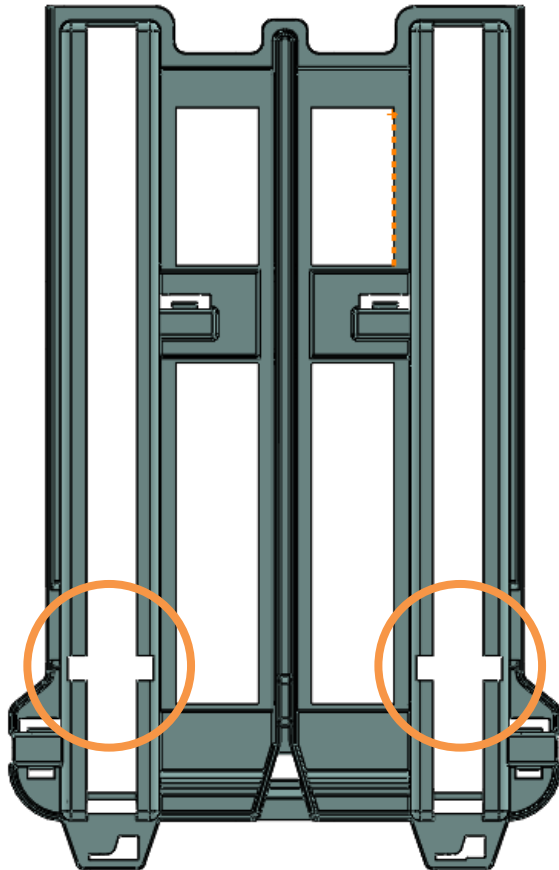
3. Tickets feed from tray, down between Lottery Tray Front and Sign Channel



# Lottery Tray Assembly



Install track by snapping teeth into corresponding slots on fixture shelf as shown



Insert tray guides into slots on front of Module Track and slide tray into place.

