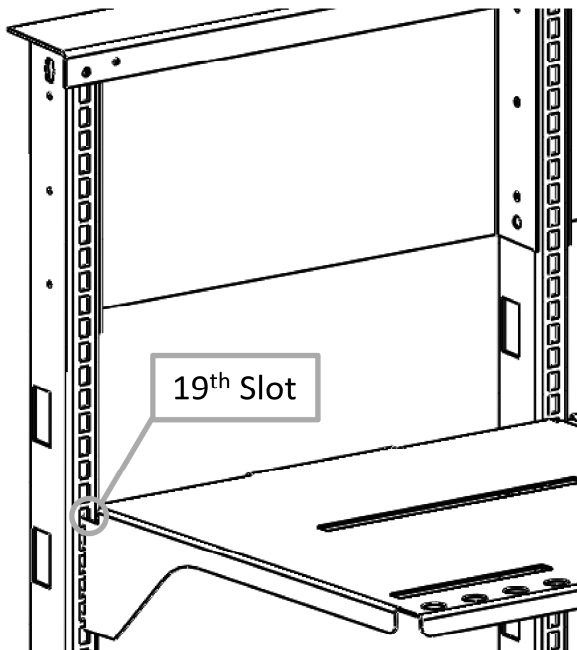
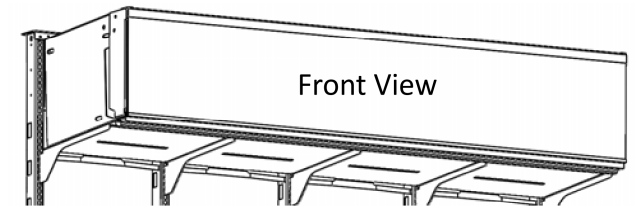
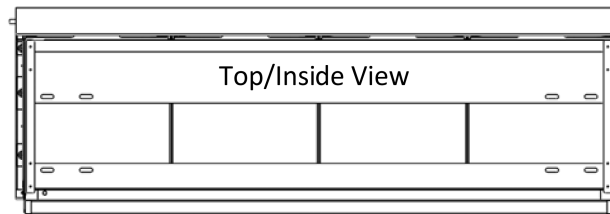


Header Installation

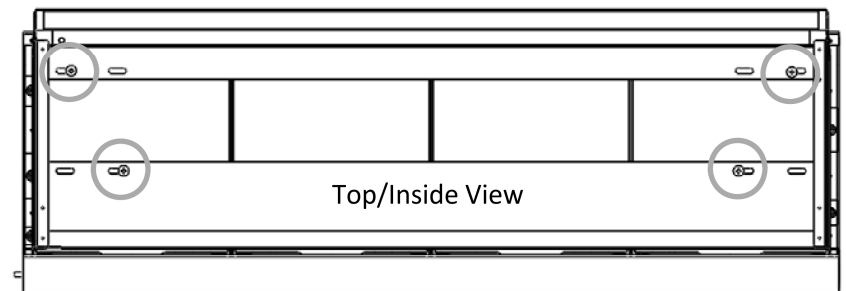
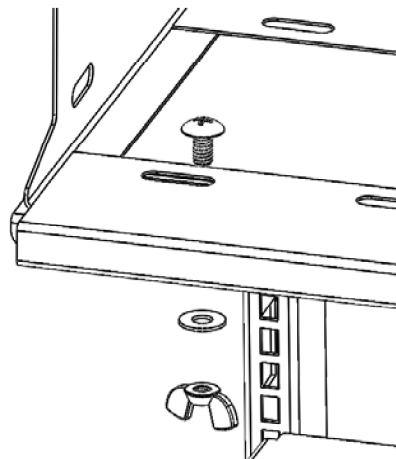
1.) Top row of shelves placed in 19th slot from top of the fixture. If more merchandising space is needed, header shelves can be raised to increase space below.



2.) Place Header onto shelves and align slots in header base with shelf slots.



3.) Secure Header to shelves using provided wing nuts, washer, and bolts. Must be secured at 4 locations.



Note: Headers can be installed in any location on fixture, even across fixture connection points.