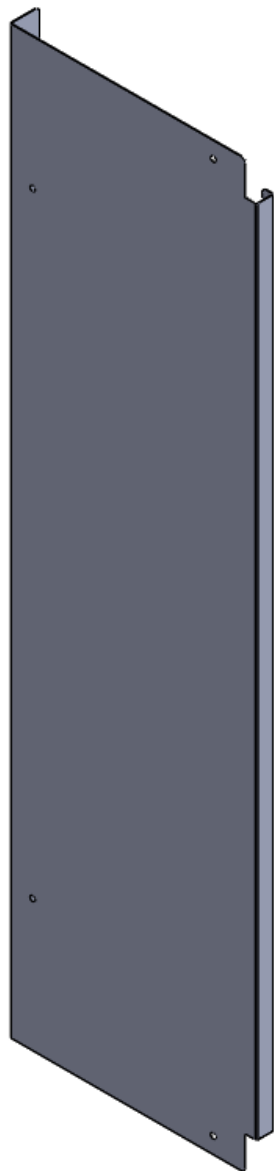


## Low Profile (Base) End Panel Installation



### INTRODUCTION:

CAREFULLY READ THE CONTENTS OF THESE INSTRUCTIONS, AS THE INSTRUCTIONS INDICATE THE CORRECT STEP BY STEP PROCEDURE TO ASSEMBLE THE PRODUCT. IN THE EVENT OF ASSEMBLY PROBLEMS OR MISSING PARTS, PLEASE CALL OUR CUSTOMER SERVICE DEPARTMENT AT **616-842-5330**.

THE MANUFACTURER OF THIS DISPLAY ASSUMES NO LIABILITY FOR INJURY CAUSED BY IMPROPER ASSEMBLY/INSTALLATION OF THIS DISPLAY.

INF BASE END PANEL KIT PF1  
Item #415621 (Silver)  
Item #415620 (Black)

**HARBOR.**

## Low Profile (Base) End Panel Installation



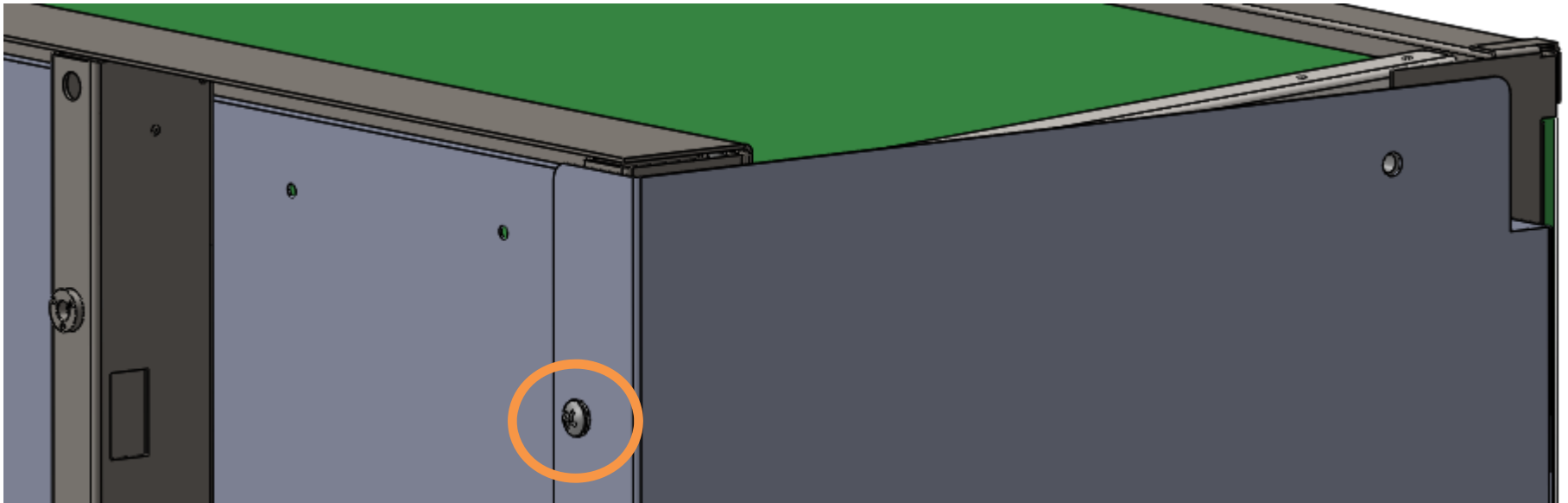
Back



Front

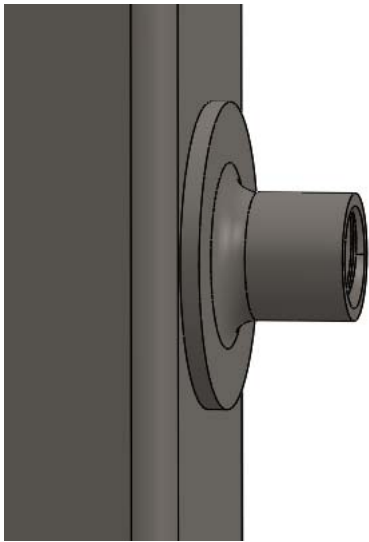
Upper and Lower panels can be installed on either side of a fixture. They are “non-handed” parts. Simply flip the panel for use on the opposite side.

## Low Profile (Base) End Panel Installation



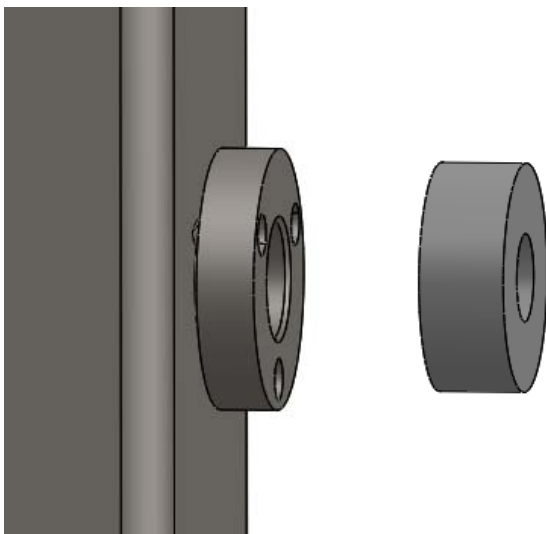
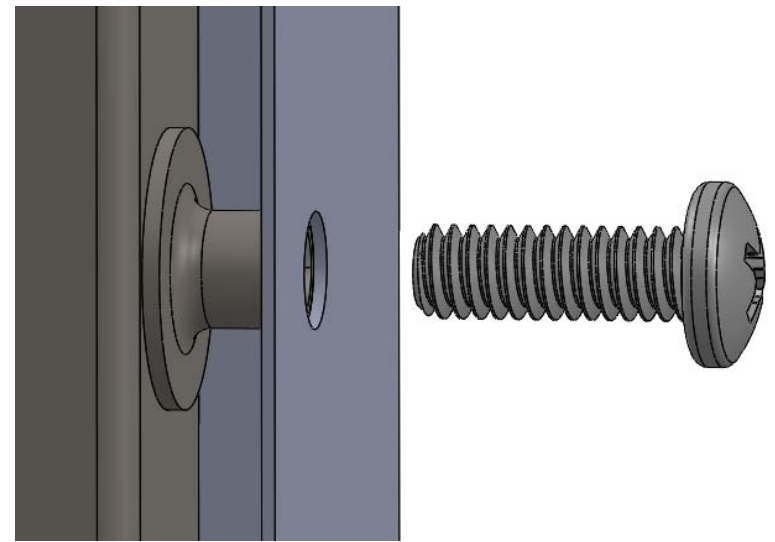
Align hole on back of end panel with weld stud on back of fixture upright. Attach with provided hardware (details on next page).

## Low Profile (Base) End Panel Installation

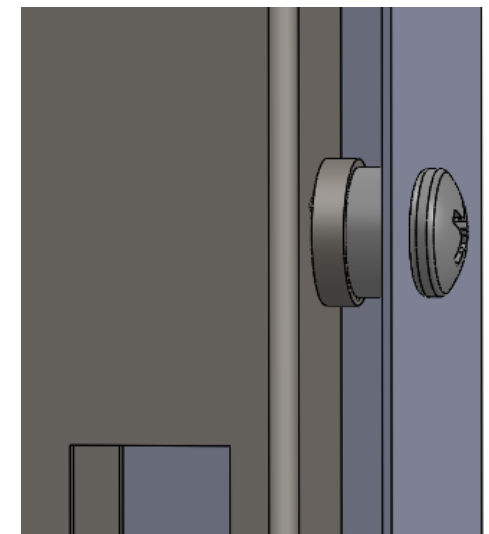


Identify weld stud style on back of fixture upright.

Taller weld stud will not require  $\frac{1}{4}$ " spacer. End panel attaches directly with  $\frac{1}{2}$ " bolt provided.

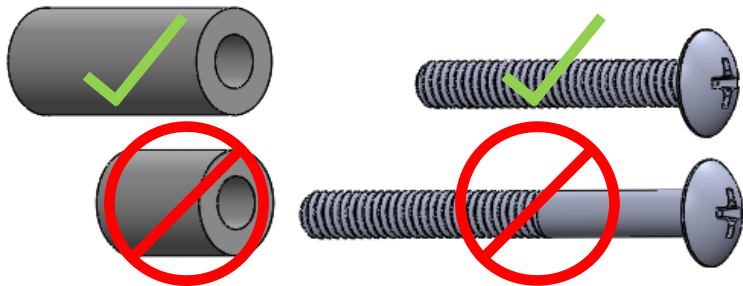
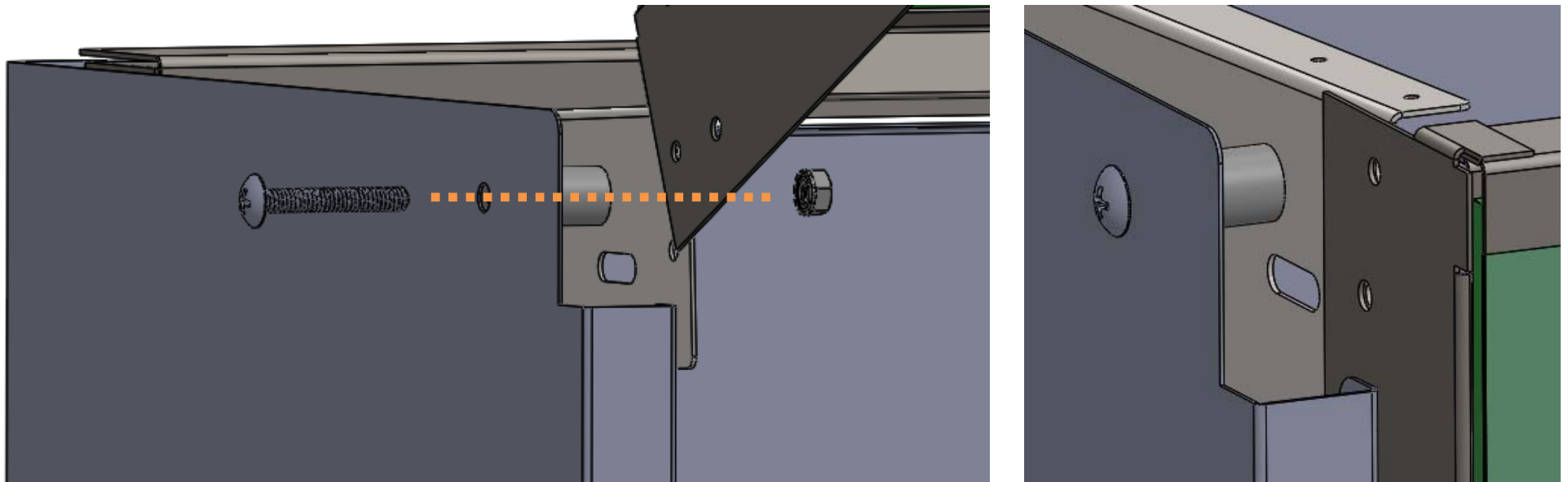


Flat weld stud requires  $\frac{1}{4}$ " spacer between end panel as shown.



**HARBOR.**

## Low Profile (Base) End Panel Installation

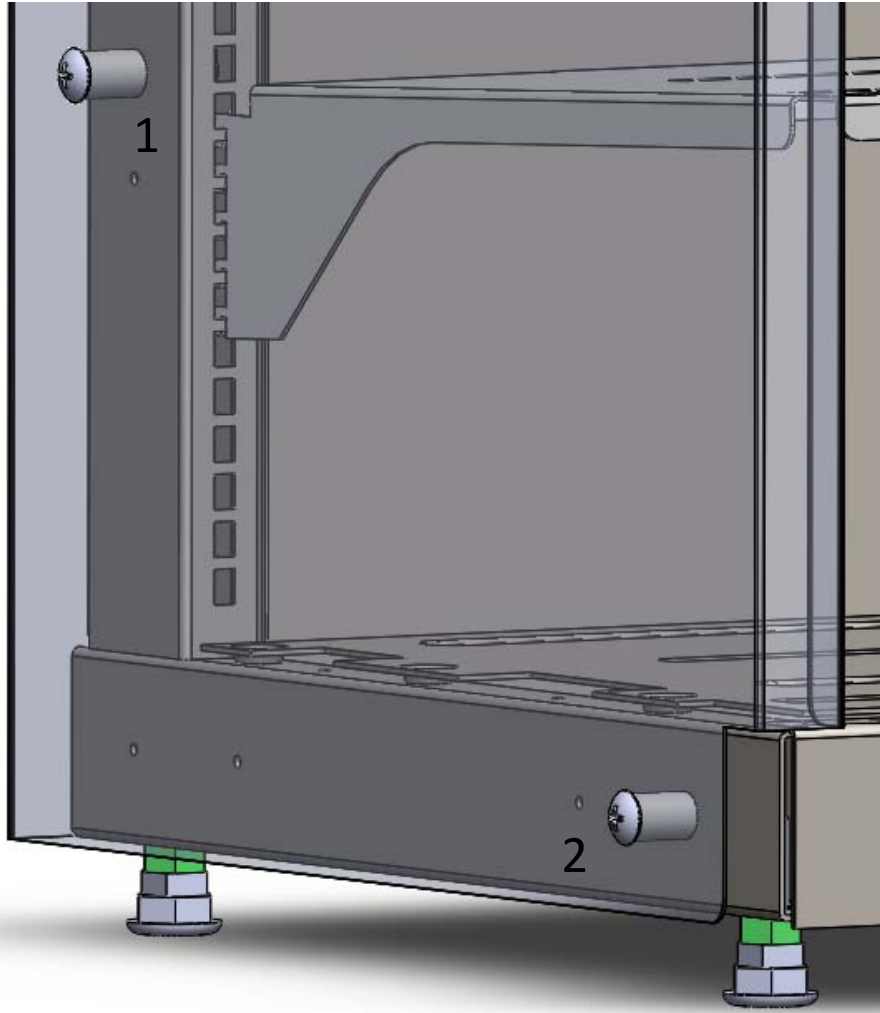


Align hole in top corner of end panel with matching hole in header assembly. Attach using shorter through bolt (1 3/4"), long spacer (1 1/4"), and keps nut.

Spacer installs between End Panel and Header.

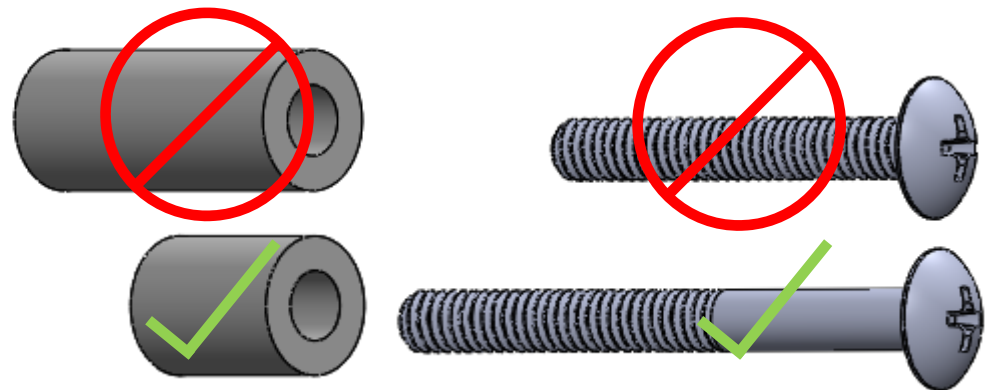
**HARBOR.**

## Low Profile (Base) End Panel Installation



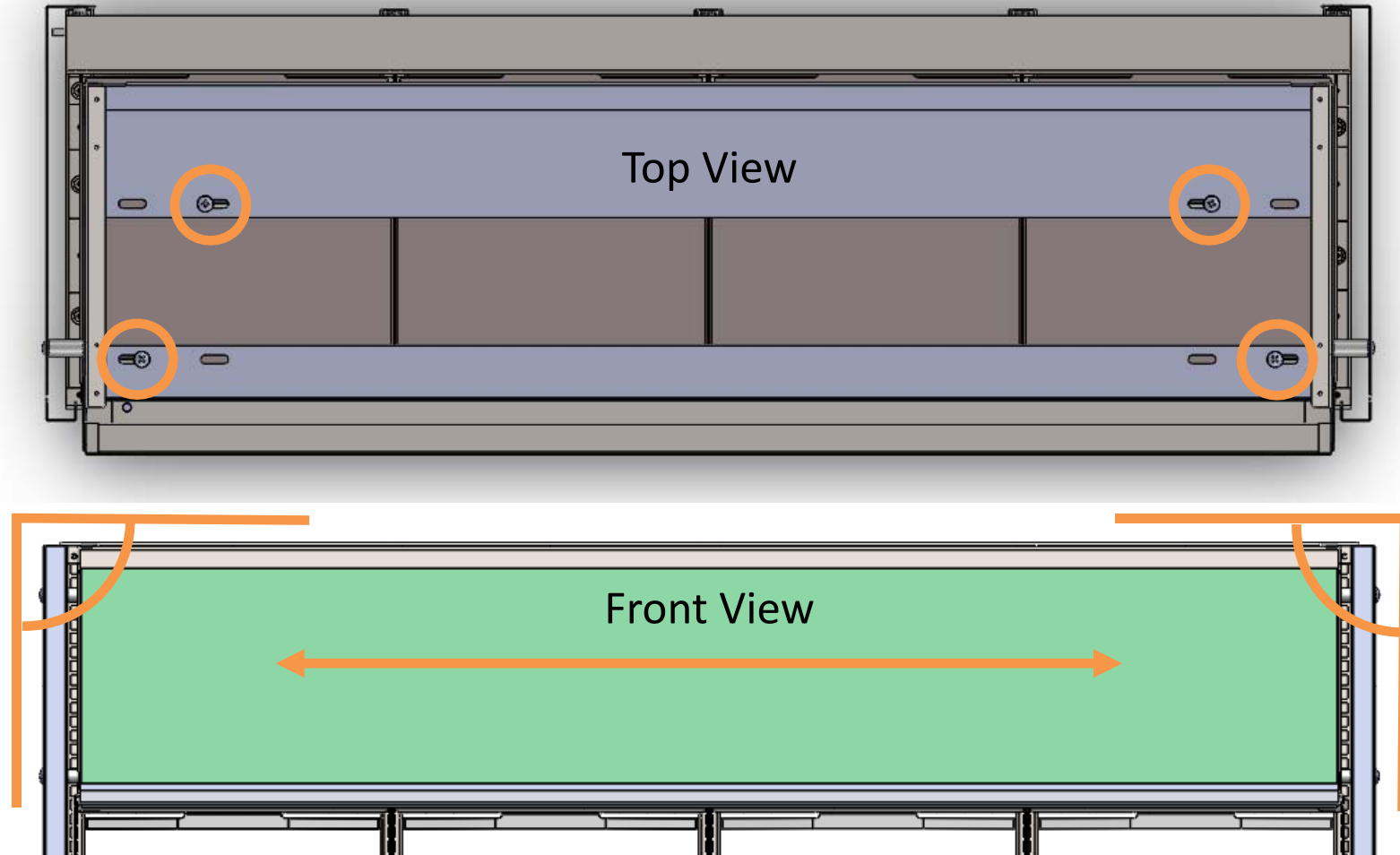
Panel shown as transparent to allow for hole location details

Attach bottom of end panel using long through bolts (2 ½"), short spacers (11/16"), and keps nuts in the two location shown. Spacers install between End Panel and fixture leg.



**HARBOR.**

## Low Profile (Base) End Panel Installation



To square up end panels, loosen the bolts and wing nuts attaching the header to fixture shelves. Slide header to left or right square up and tighten wing nuts and bolts to secure header in place.