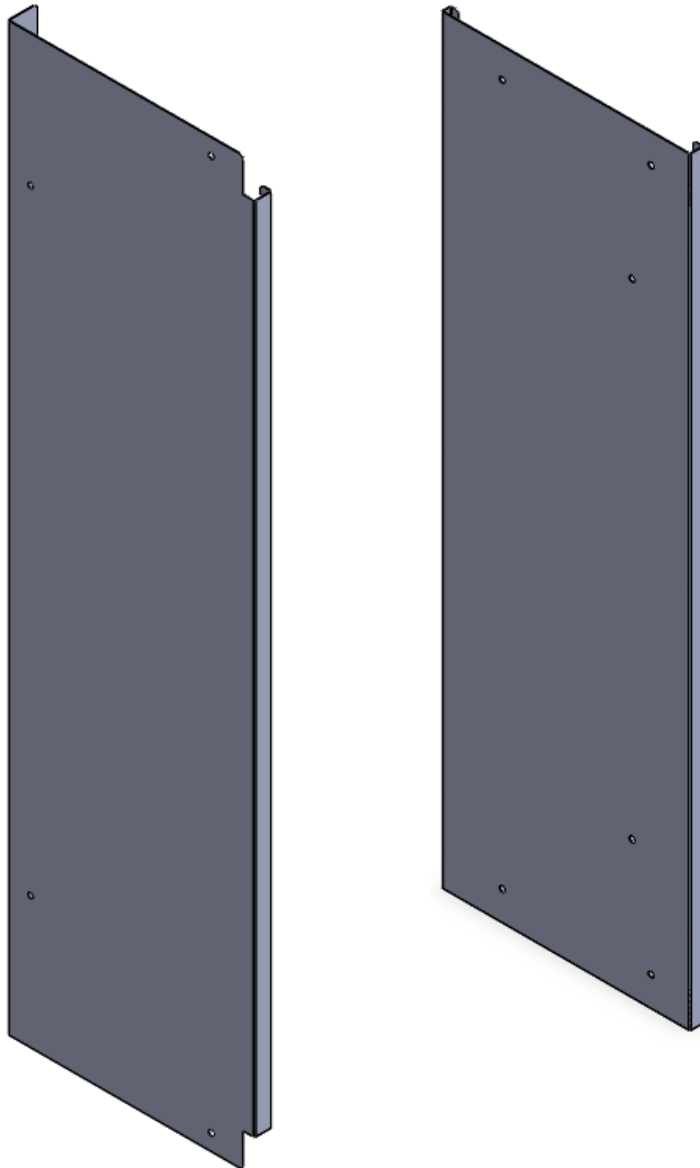


Telescoping End Panel Installation



INTRODUCTION:

CAREFULLY READ THE CONTENTS OF THESE INSTRUCTIONS, AS THE INSTRUCTIONS INDICATE THE CORRECT STEP BY STEP PROCEDURE TO ASSEMBLE THE PRODUCT. IN THE EVENT OF ASSEMBLY PROBLEMS OR MISSING PARTS, PLEASE CALL OUR CUSTOMER SERVICE DEPARTMENT AT **616-842-5330**.

THE MANUFACTURER OF THIS DISPLAY ASSUMES NO LIABILITY FOR INJURY CAUSED BY IMPROPER ASSEMBLY/INSTALLATION OF THIS DISPLAY.

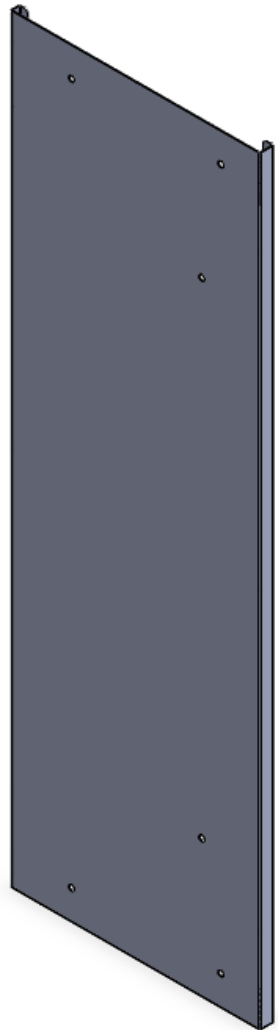
Note: Please see “Adjusting Fixture Height” instructions before attempting to install end panels.

INF TELESC END PNL KIT PF1
Item #415623 (Silver)
Item #415622 (Black)

HARBOR.

Telescoping End Panel Installation

Upper Panel



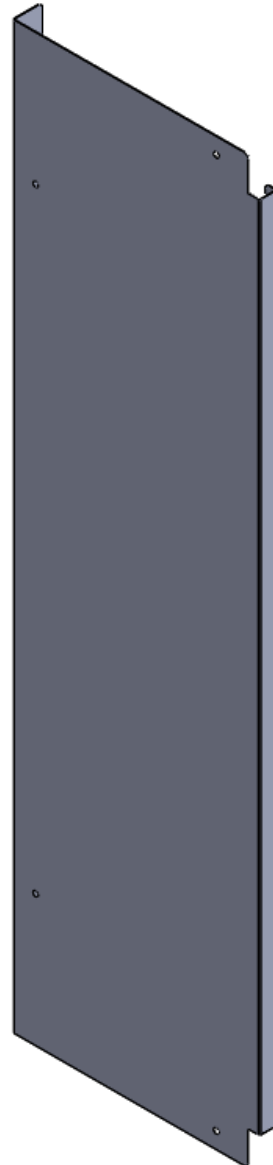
Back



Top View

Front

Lower Panel



Back

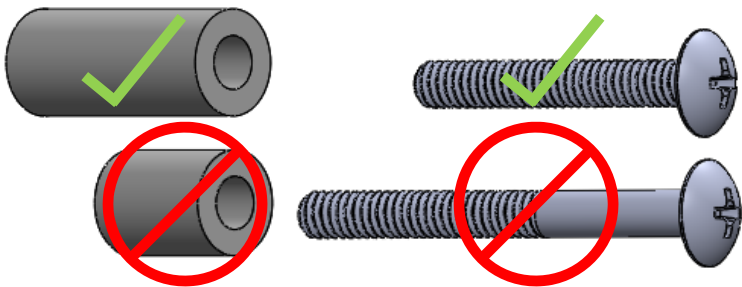
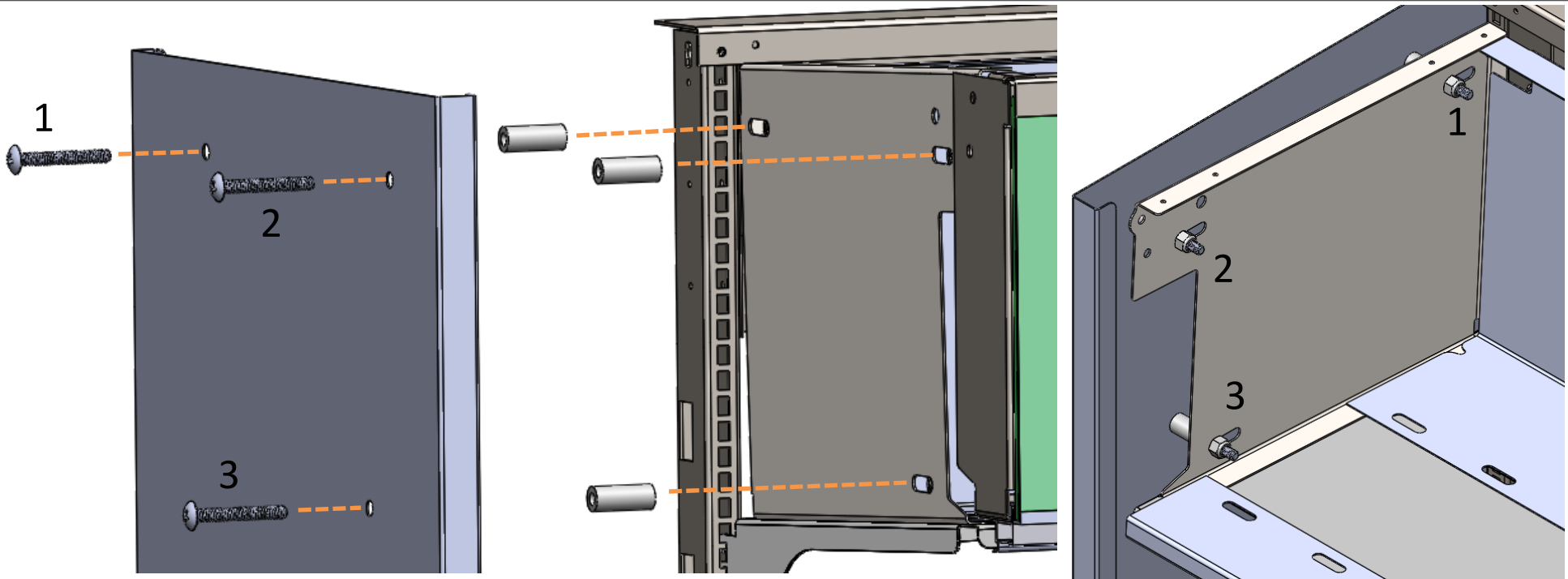


Top View

Front

Upper and Lower panels can be installed on either side of a fixture. They are “non-handed” parts. Simply flip the panel for use on the opposite side.

Telescoping End Panel Installation



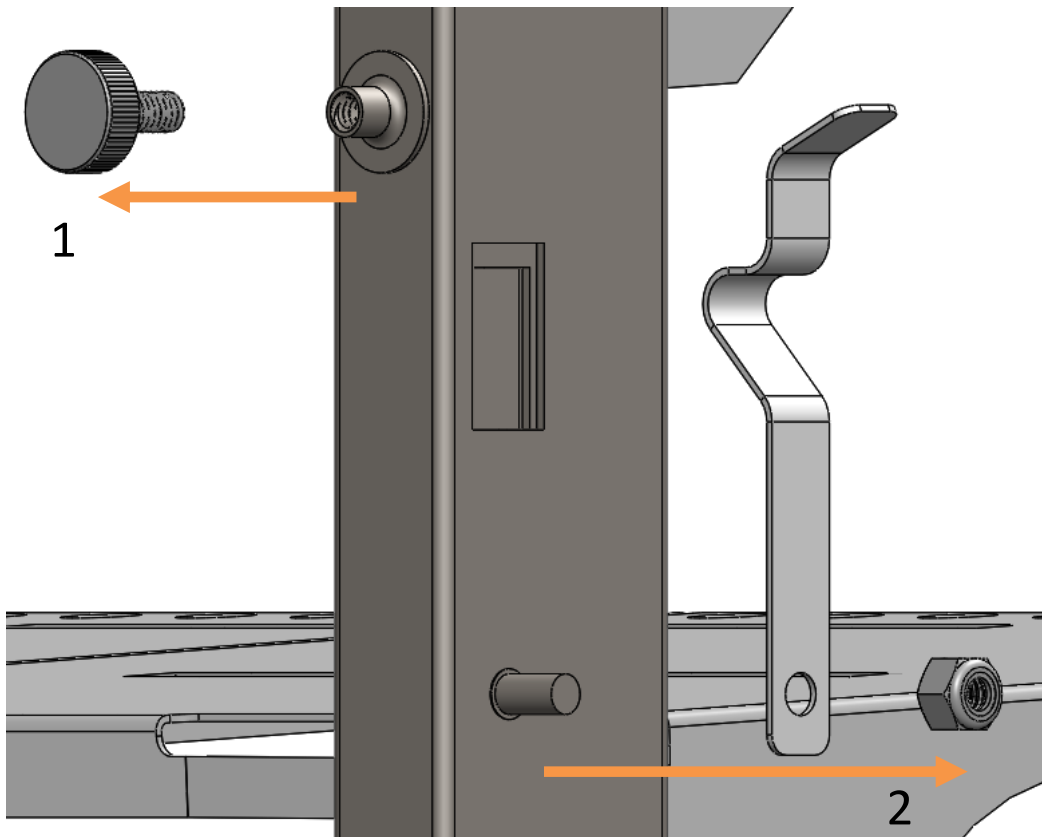
Align holes in Upper Panel with slotted holes in Header. Hang upper panel using shorter through bolts (1 ¾"), long spacers (1 ¼"), and keps nuts.

TIP: Start with installing bolt, spacer, and nut at location 1. Repeat for location 2 and 3.

Spacers install between End Panel and Header.

HARBOR.

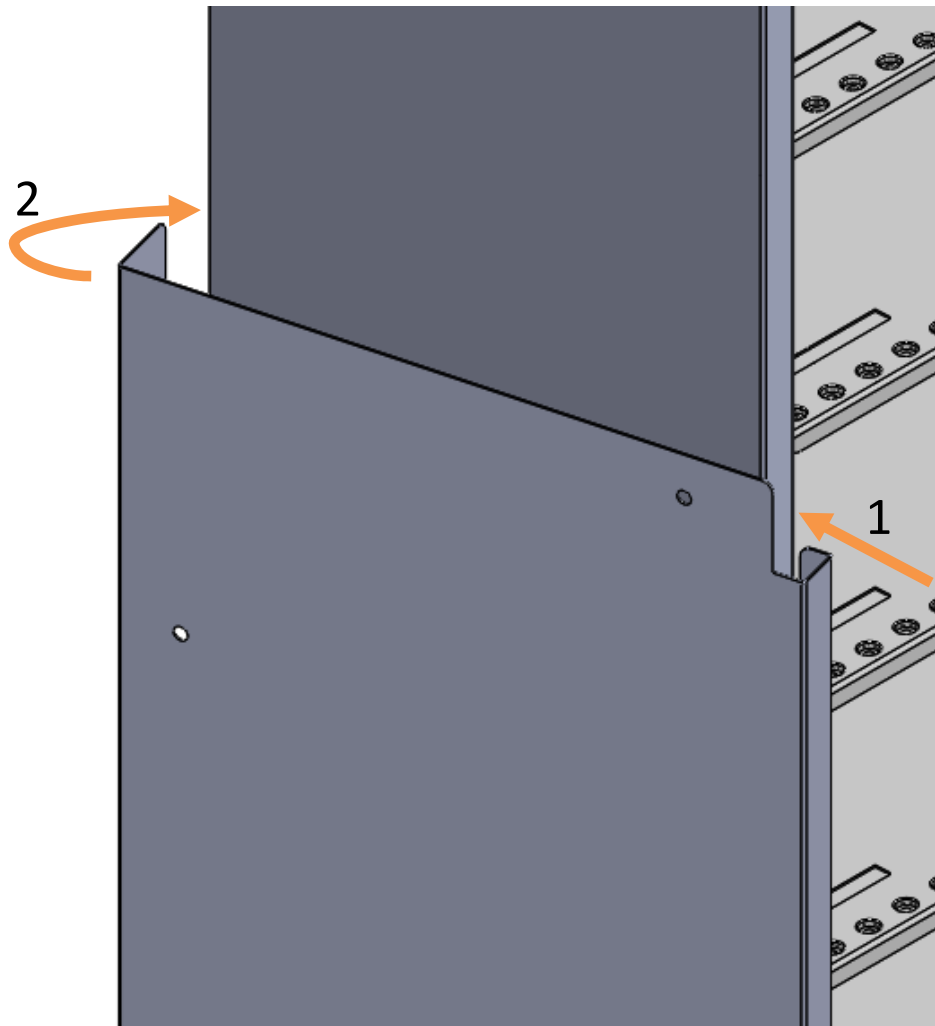
Telescoping End Panel Installation



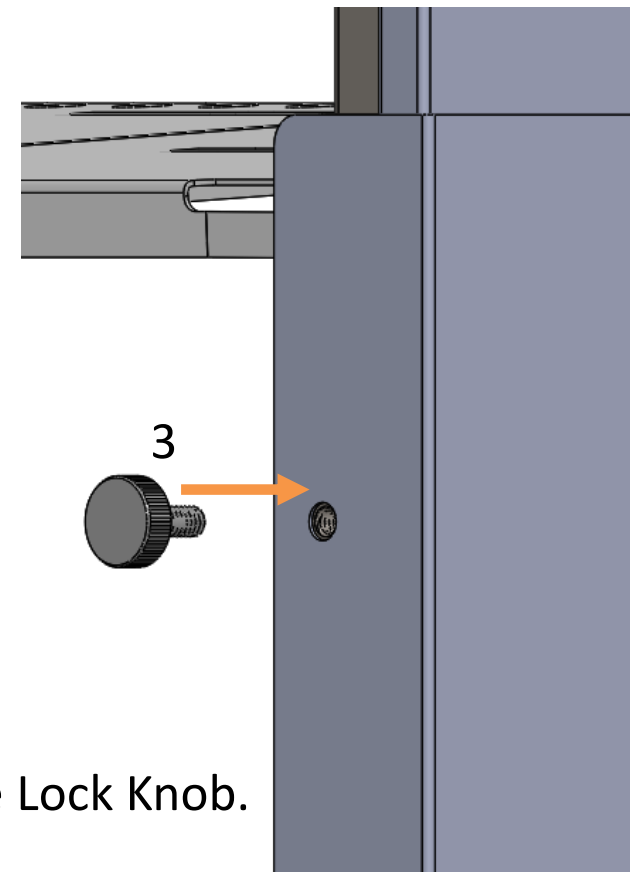
1. Remove Lock Knob from upright at the end of fixture. ***(DO NOT DISCARD LOCK KNOB, WILL BE REINSTALLED)***

2. For LH side of fixture, remove retaining nut and spring clip from upright at end of fixture. ***(WILL NOT BE REINSTALLED)***

Telescoping End Panel Installation



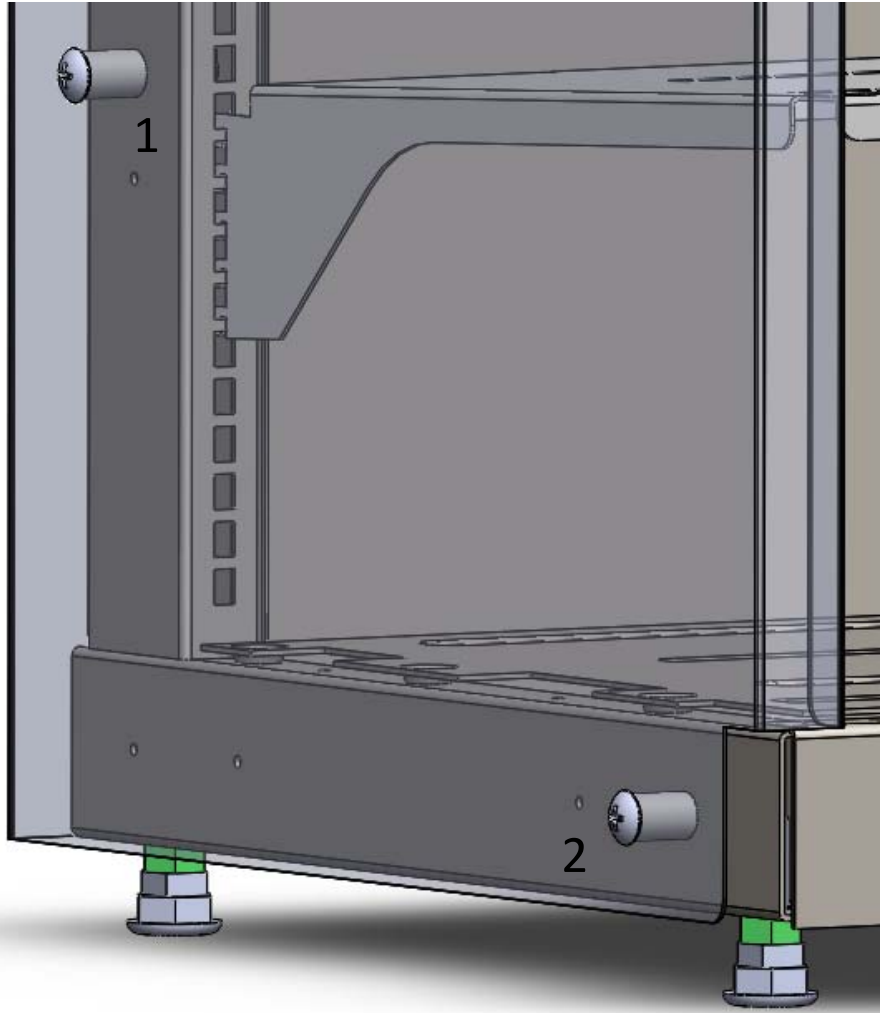
1. Align front of lower panel so that upper panel nests inside.
2. Rotate back of lower panel to align with Lock Knob stud.



3. Reinstall and secure Lock Knob.

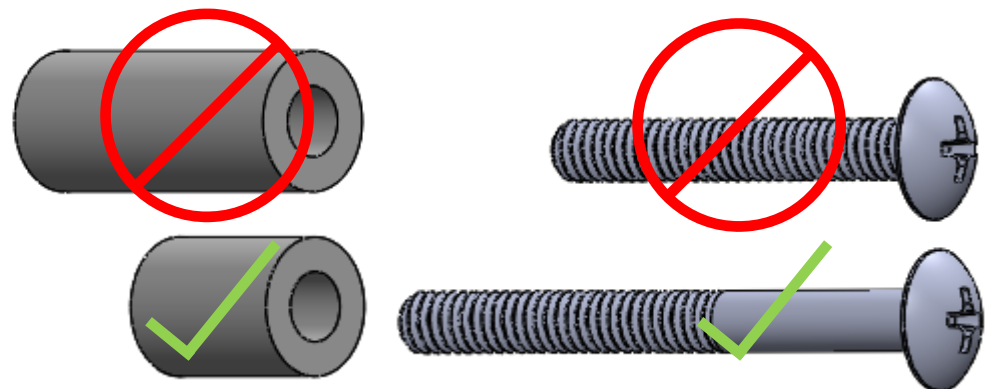
HARBOR.

Telescoping End Panel Installation



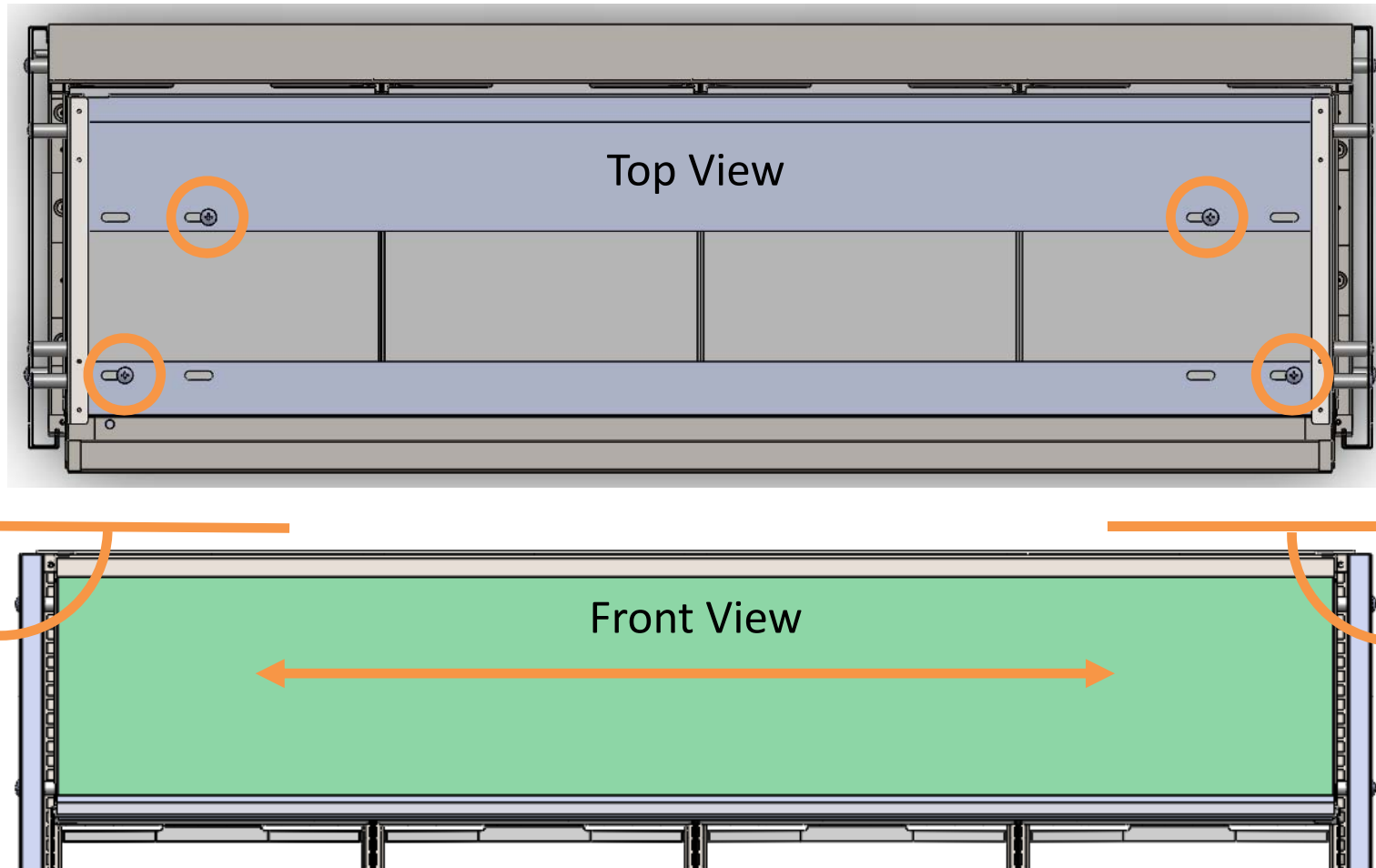
Panel shown as transparent to allow for hole location details

Hang lower panel using long through bolts (2 ½"), short spacers (11/16"), and keps nuts in the two location shown. Spacers install between End Panel and fixture leg.



HARBOR.

Telescoping End Panel Installation



To square up end panels, loosen the bolts and wing nuts attaching the header to fixture shelves. Slide header to left or right square up and tighten wing nuts and bolts to secure header in place.