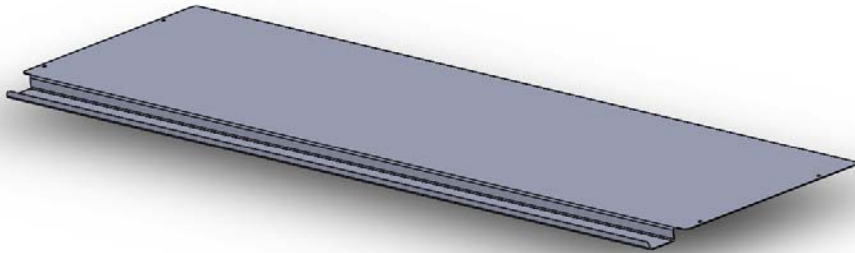


Infinity Fixture Top Cap Installation

INTRODUCTION:

CAREFULLY READ THE CONTENTS OF THESE INSTRUCTIONS, AS THE INSTRUCTIONS INDICATE THE CORRECT STEP BY STEP PROCEDURE TO ASSEMBLE THE PRODUCT. IN THE EVENT OF ASSEMBLY PROBLEMS OR MISSING PARTS, PLEASE CALL OUR CUSTOMER SERVICE DEPARTMENT AT **616-842-5330**.



THE MANUFACTURER OF THIS DISPLAY ASSUMES NO LIABILITY FOR INJURY CAUSED BY IMPROPER ASSEMBLY/INSTALLATION OF THIS DISPLAY.

INF FXT TOP CAP KIT (BLACK)

ITEM # 415710 2FT

ITEM # 415712 3FT

ITEM # 415714 4FT

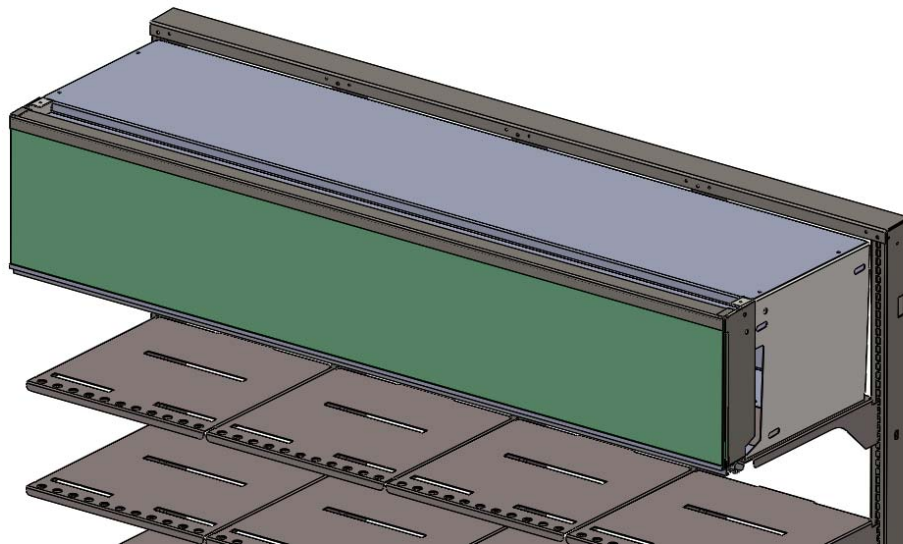
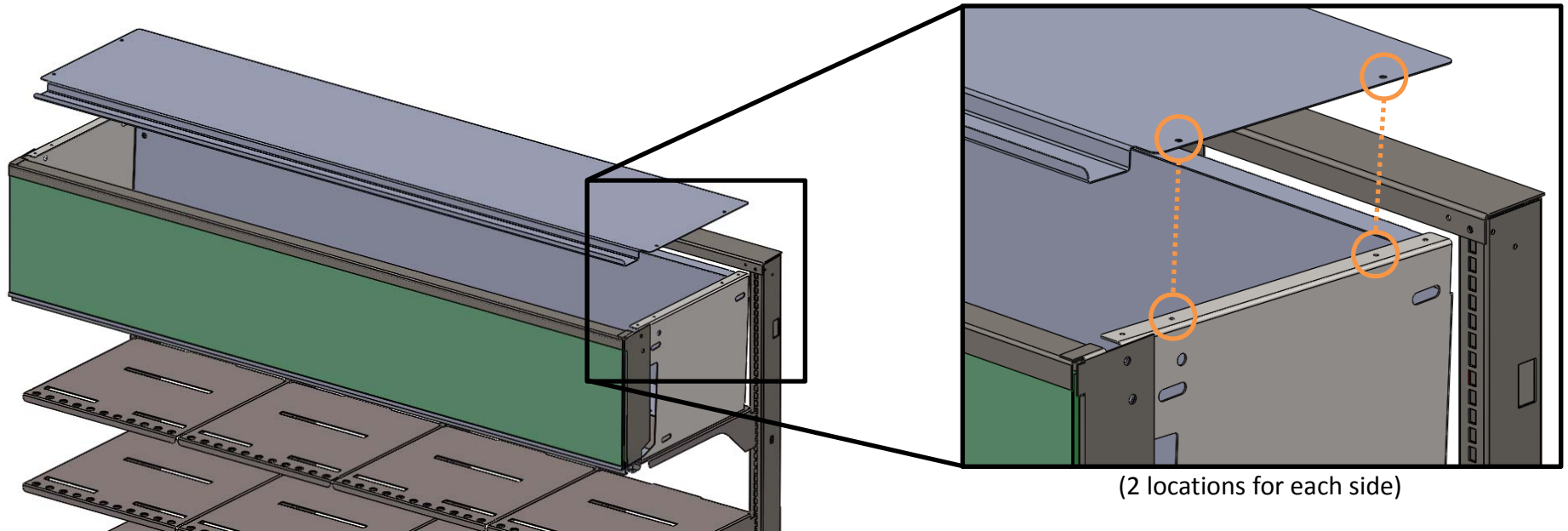
INF FXT TOP CAP KIT (SILVER)

ITEM # 415711 2FT

ITEM # 415713 3FT

ITEM # 415715 4FT

Infinity Fixture Top Cap Installation



Position Top Cap with bent edge facing towards front of fixture as shown. Align holes on each side with holes in top of header box and secure with provided hardware.