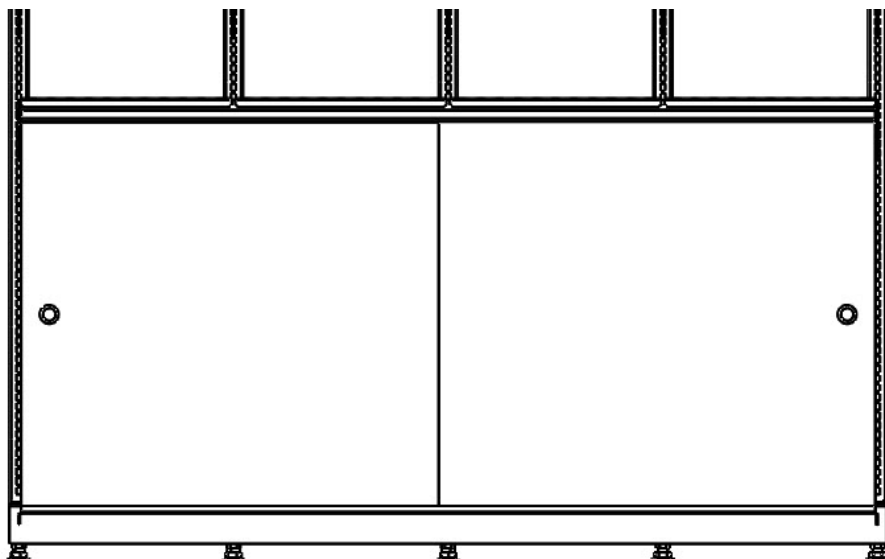


Sliding Storage Doors



Sliding Storage Doors in Silver:
2' Door Set Item # 291153
3' Door Set Item # 291154
4' Door Set Item #291155

Sliding Storage Doors in Black:
2' Door Set Item # 291150
3' Door Set Item # 291151
4' Door Set Item #291152

Carefully read the contents of these instructions, as the instructions indicate the correct step by step procedure to assemble the product. In the event of assembly problems or missing parts, please call our customer service department at **616-842-5330**.

CAUTION:

ASSEMBLED UNIT IS VERY HEAVY. DO NOT ATTEMPT TO LIFT OR MOVE WITHOUT ASSISTANCE.

THE MANUFACTURER OF THIS DISPLAY ASSUMES NO LIABILITY FOR INJURY CAUSED BY IMPROPER ASSEMBLY / INSTALLATION OF THIS DISPLAY.



WARNING:

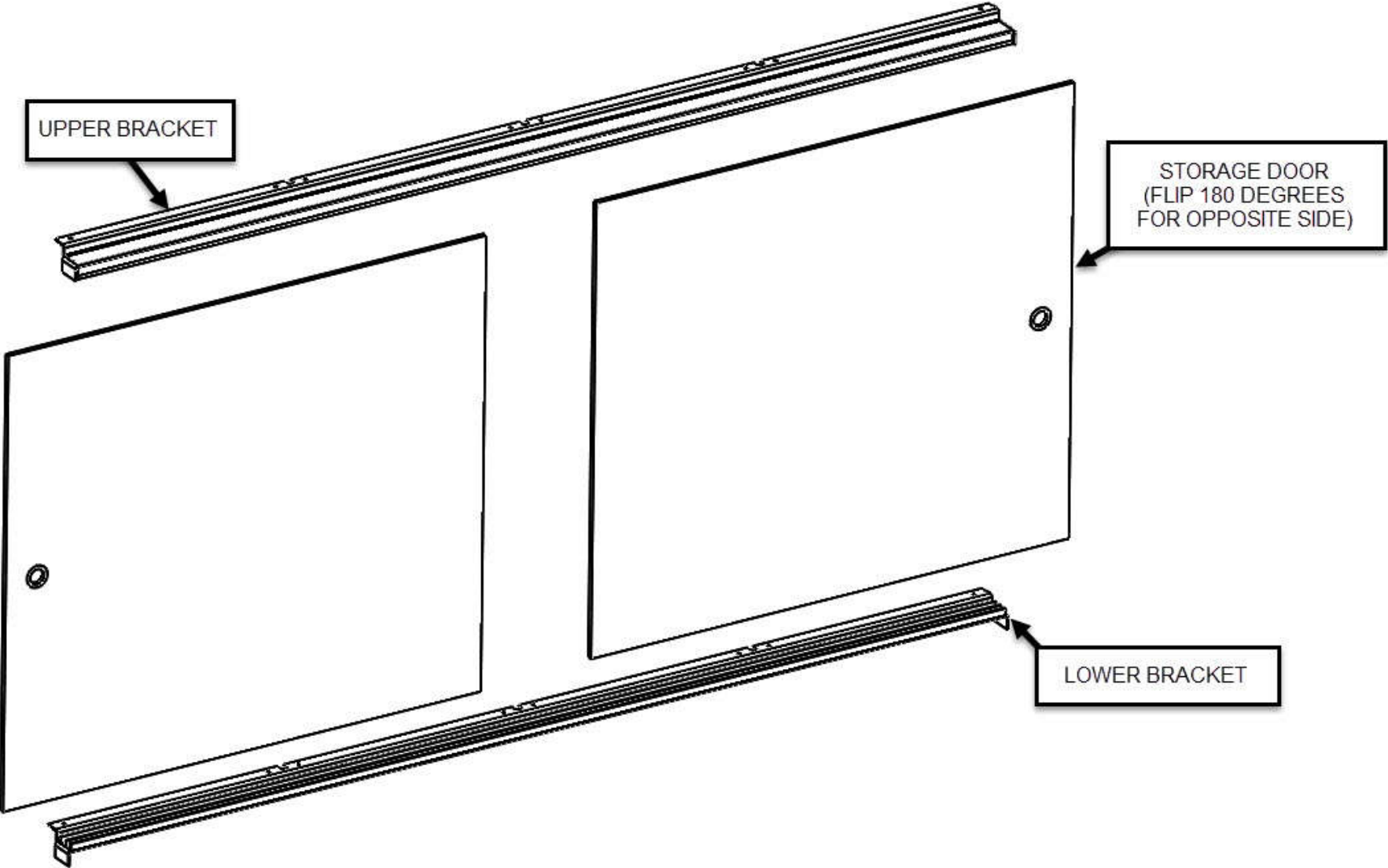
This product contains chemicals known to the State of California to cause cancer and birth defects or other reproduction harm.

For more information, go to www.P65Warnings.ca.gov

TOOLS REQUIRED:

- PHILIPS SCREWDRIVER

Sliding Storage Doors



305901IS

10-15-2020

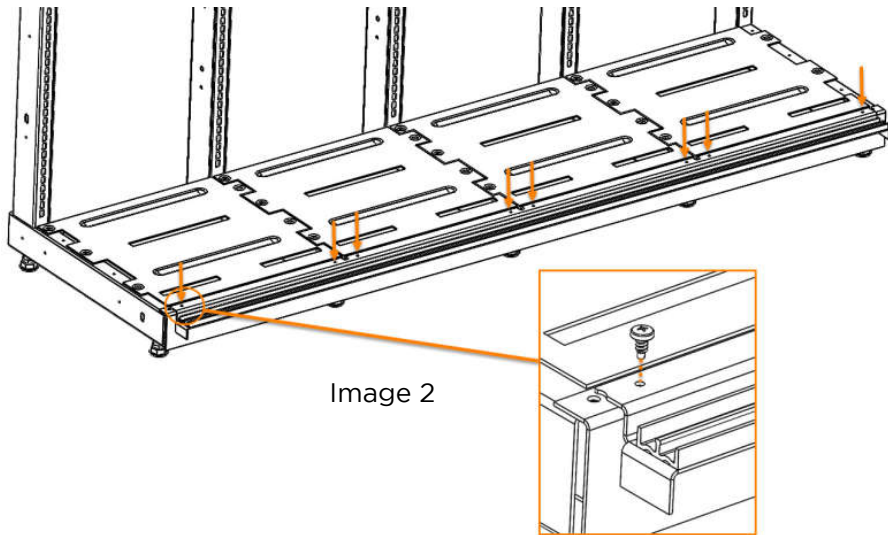
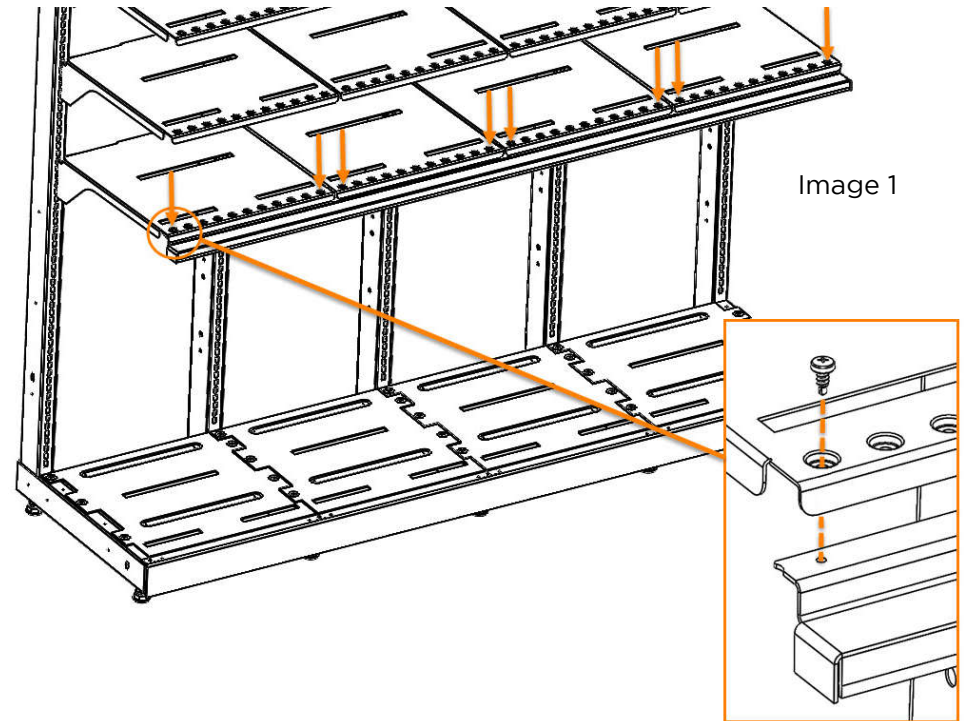
© 2020 Harbor Industries

**IT IS THE RESPONSIBILITY OF THE INSTALLER TO CAREFULLY READ & FOLLOW ALL STEPS IN THE INSTRUCTIONS.

HARBOR

Sliding Storage Doors

1 To attach upper sliding door track, align door track under front lip of shelves with track facing down. Attach with screw in the first and last hole on each shelf. (Image 1)



2. To attach lower sliding door track, align holes in track with holes at base of fixture with track face up. Insert screws as shown. (Image 2)

305901IS

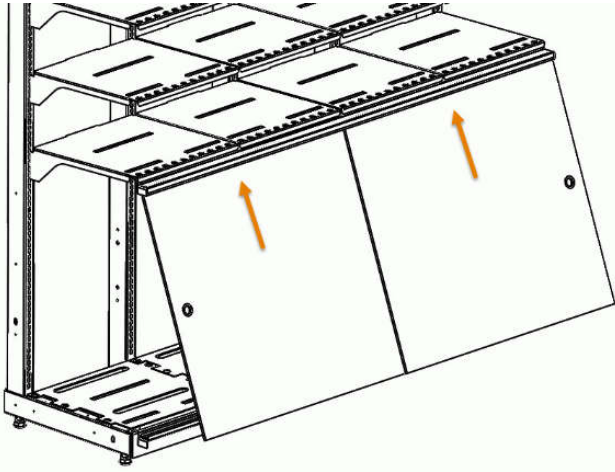
10-15-2020

© 2020 Harbor Industries

**IT IS THE RESPONSIBILITY OF THE INSTALLER TO CAREFULLY READ & FOLLOW ALL STEPS IN THE INSTRUCTIONS.

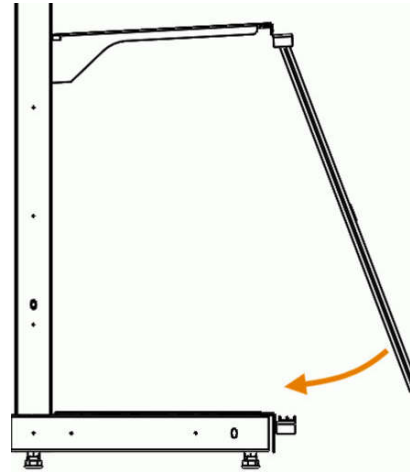
HARBOR

Sliding Storage Doors



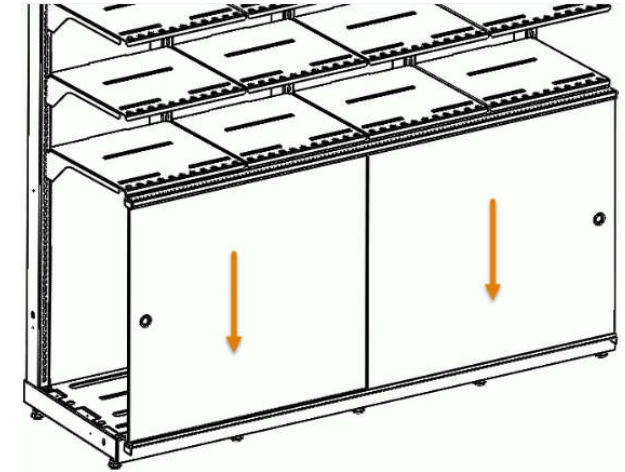
Step 1

1. Insert panel into channel of upper track.



Step 2

2. Rotate door panel to align with matching lower channel. (Back channel to back channel, front channel to front channel)



Step 3

3. Lower door panel into matching channel. (Repeat process for second door panel)

Note: Finger pulls should be to the outside of track (as shown)