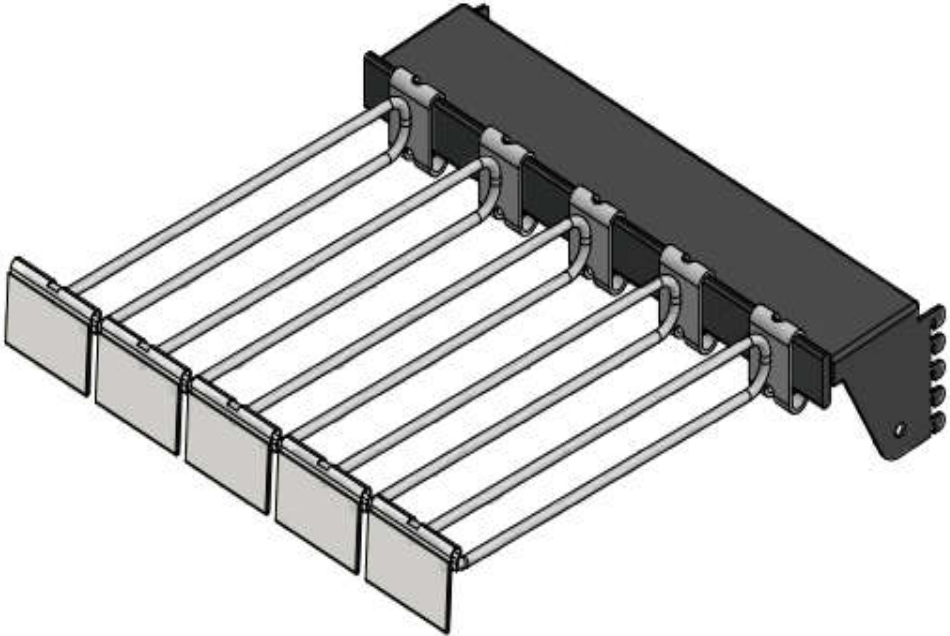


# Hanging Product Hooks

Carefully read the contents of these instructions, as the instructions indicate the correct step by step procedure to assemble the product. In the event of assembly problems or missing parts, please call our customer service department at **616-842-5330**.



Hanging Product Hooks – Item #300018

**CAUTION:**

ASSEMBLED UNIT IS VERY HEAVY. DO NOT ATTEMPT TO LIFT OR MOVE WITHOUT ASSISTANCE.

THE MANUFACTURER OF THIS DISPLAY ASSUMES NO LIABILITY FOR INJURY CAUSED BY IMPROPER ASSEMBLY / INSTALLATION OF THIS DISPLAY.



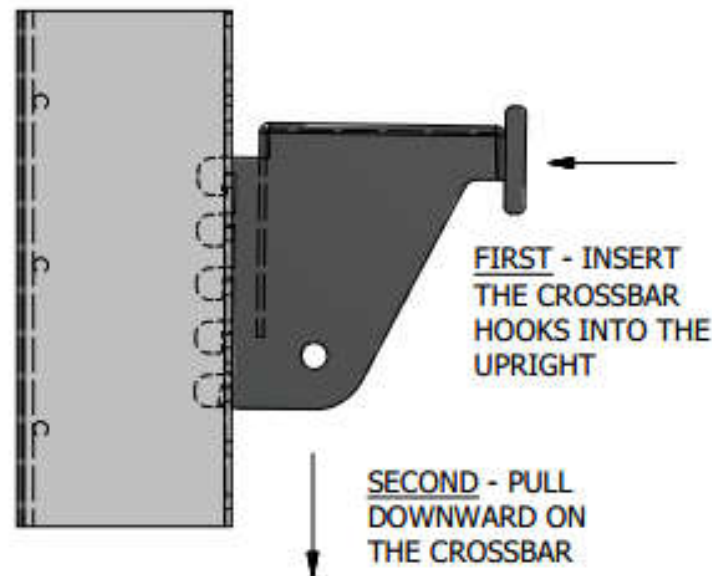
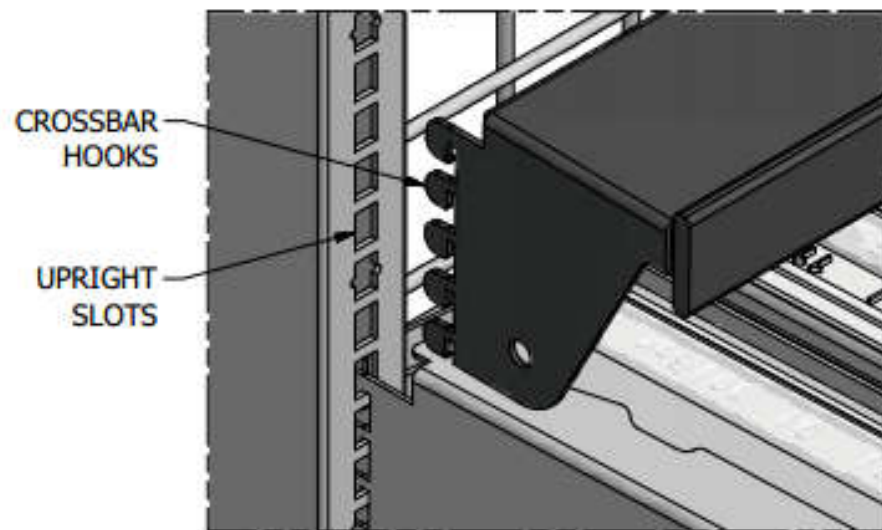
**WARNING:**

This product contains chemicals known to the State of California to cause cancer and birth defects or other reproduction harm.

For more information, go to [www.P65Warnings.ca.gov](http://www.P65Warnings.ca.gov)

NOTE: This kit is used for both Black and Silver fixtures.

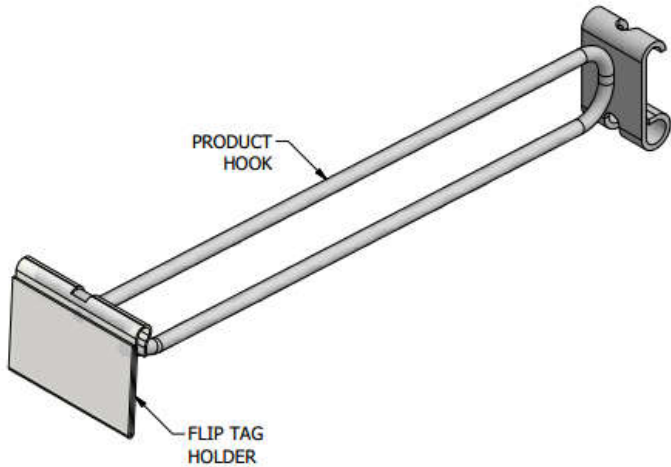
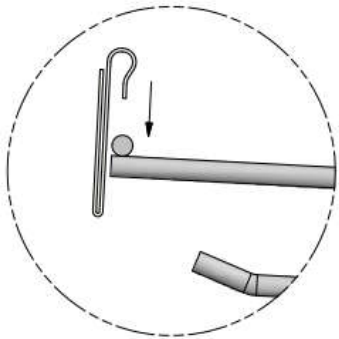
# Hanging Product Hooks



1. Determine what products are going to be merchandised on the hanging product hooks, and where they will be installed in the tobacco fixture.
2. Remove the appropriate fixture shelves and spring load trays needed.
3. Install the first crossbar into the fixture. To install, insert the hooks on the crossbar completely into the slots on the uprights. While continuing to hold the crossbar firmly against the uprights, pull the crossbar downward until the hooks completely engage the slots on the uprights. (See images above)
4. Make sure that the crossbar is sitting level and that it is properly secured to the uprights.
5. Repeat Steps 3 and 4 as needed for additional crossbars.

Note: If multiple crossbars are being installed inline with each other horizontally across a fixture, make sure they are tight up against each other to form a continuous appearance.

# Hanging Product Hooks



6. Determine how many product hooks will be needed, and attach a flip tag holder to each one. To attach, press the hook shaped end of the flip tag holder onto the small crosswire at the front of the product hook.  
Note: The flip scan tag should be able to pivot upward after it is attached.

7. Install the first product hook onto the crossbar. To install, hook the product hook onto the top of the crossbar, then rotate downward until it locks into place. (See above images)

Note: If product hook needs to be removed from a crossbar, rotate it upward to unlock and remove it. When removing product hook it is best to hold the crossbar in place to prevent accidentally disengagement from the upright.

8. Repeat Step 7 for additional product hooks.

