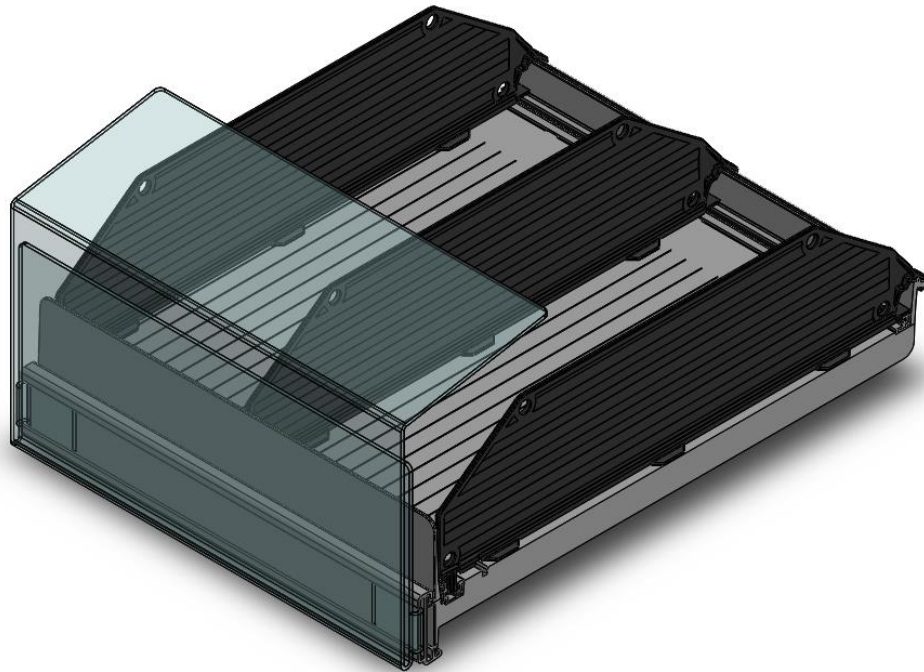


Lottery Tray Assembly



Carefully read the contents of these instructions, as the instructions indicate the correct step by step procedure to assemble the product. In the event of assembly problems or missing parts, please call our customer service department at **616-842-5330**.

CAUTION:

ASSEMBLED UNIT IS VERY HEAVY. DO NOT ATTEMPT TO LIFT OR MOVE WITHOUT ASSISTANCE.

THE MANUFACTURER OF THIS DISPLAY ASSUMES NO LIABILITY FOR INJURY CAUSED BY IMPROPER ASSEMBLY / INSTALLATION OF THIS DISPLAY.



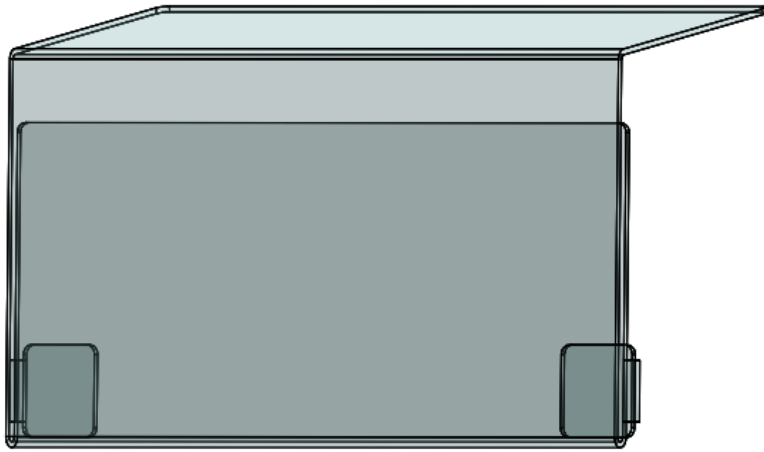
WARNING:

This product contains chemicals known to the State of California to cause cancer and birth defects or other reproduction harm.

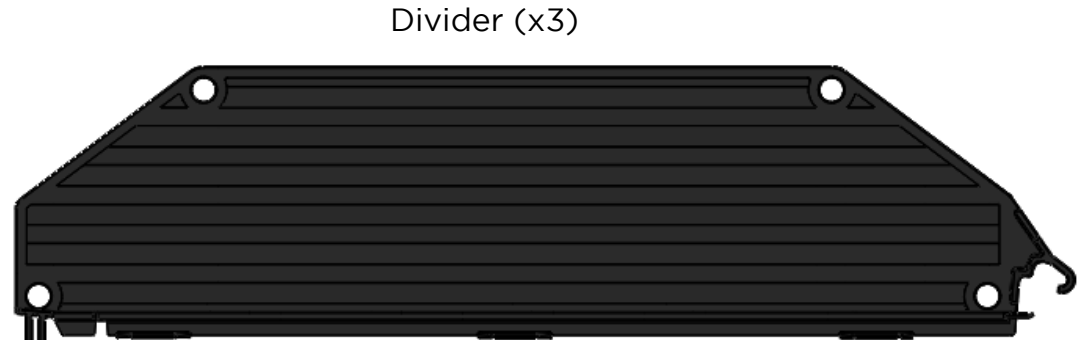
For more information, go to www.P65Warnings.ca.gov

LOTTERY TRAY ASSEMBLY
ITEM# 291250

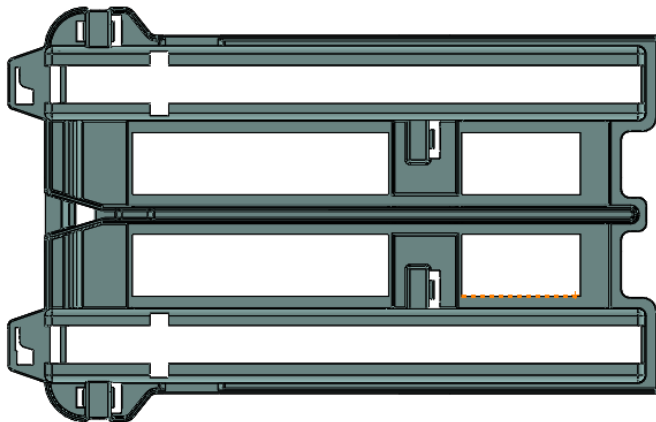
Lottery Tray Assembly



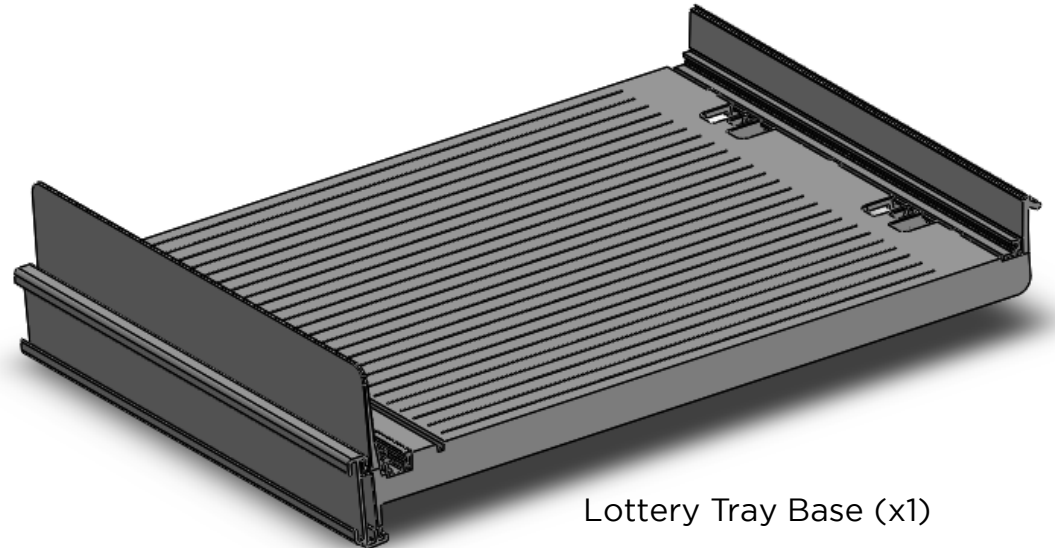
Lottery Tray Front (x1)



Divider (x3)

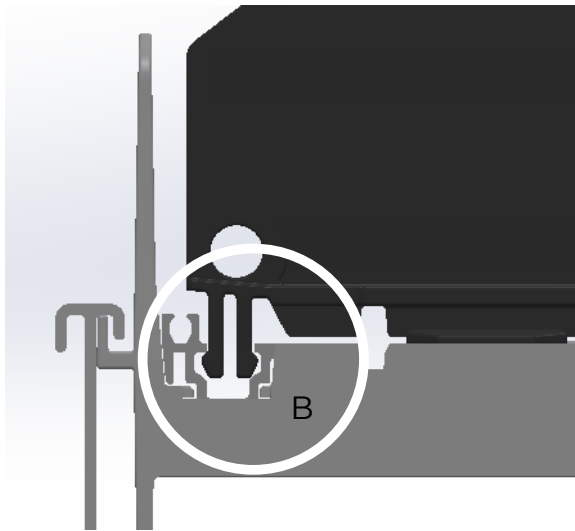


Module Track (x1)

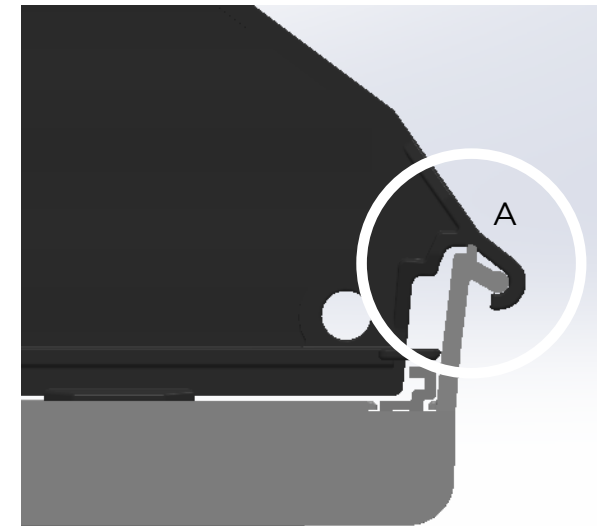


Lottery Tray Base (x1)

Lottery Tray Assembly



Install dividers by hooking around back of tray (A) and snapping into front channel (B).



305906IS

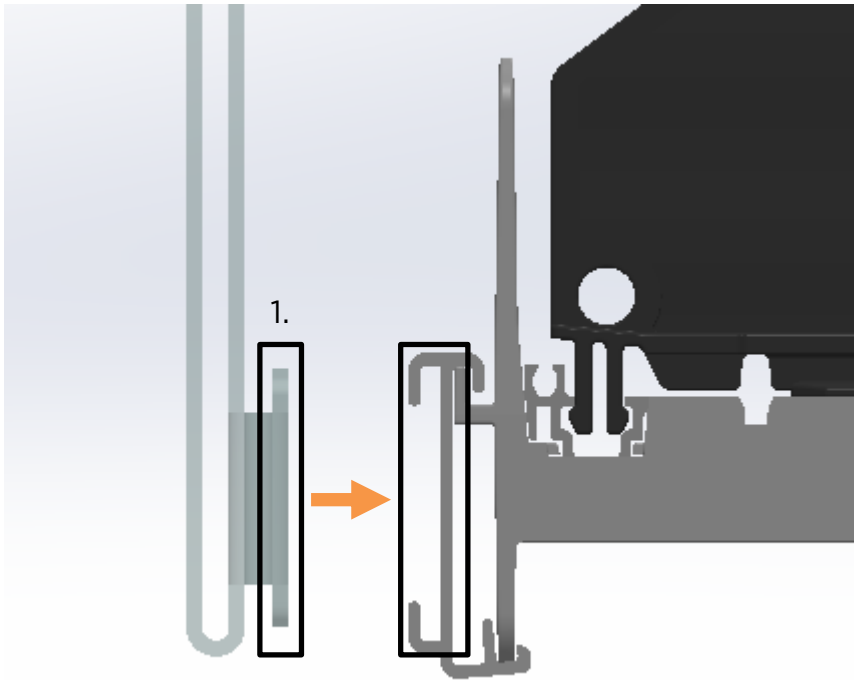
11-06-2020

© 2020 Harbor Industries

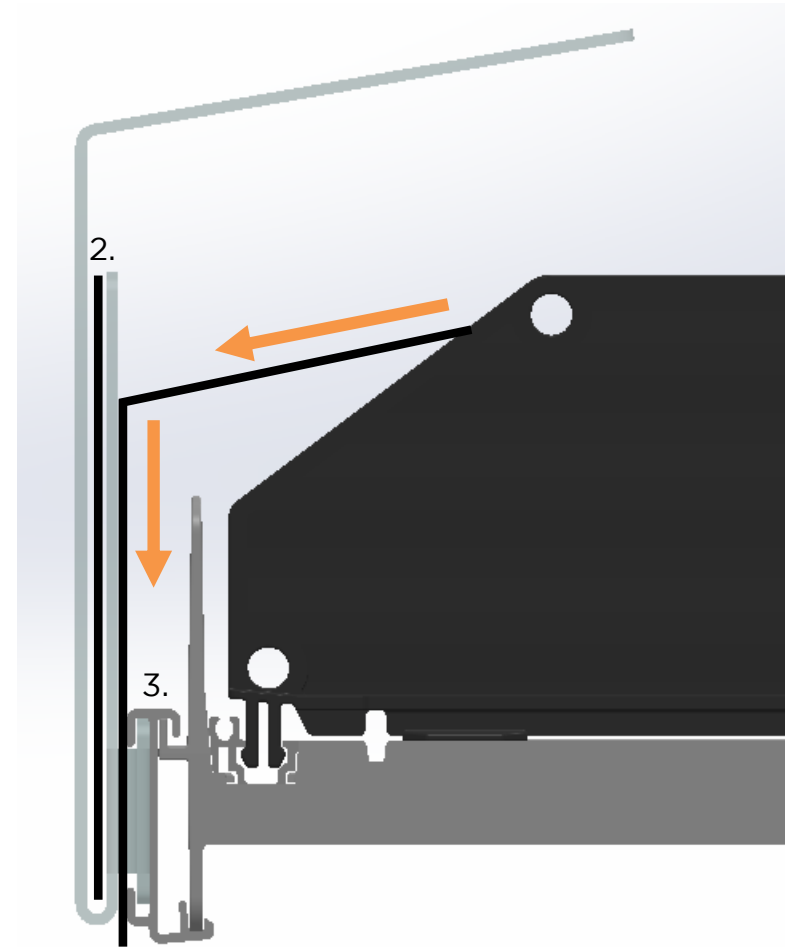
**IT IS THE RESPONSIBILITY OF THE INSTALLER TO CAREFULLY READ & FOLLOW ALL STEPS IN THE INSTRUCTIONS.

HARBOR

Lottery Tray Assembly



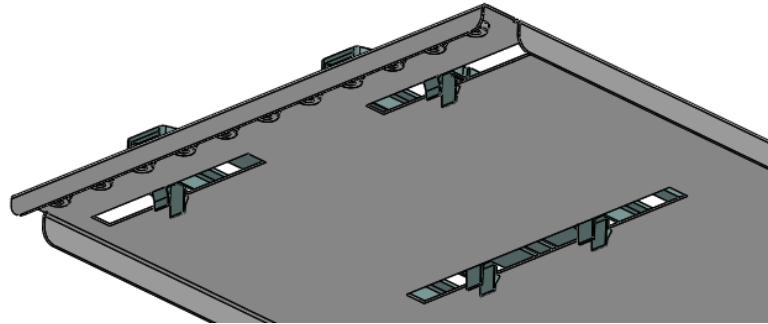
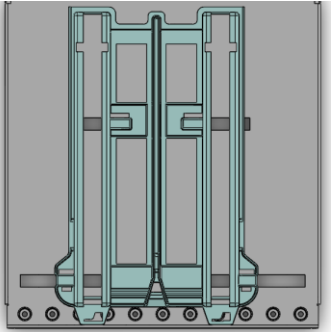
1. Slide tabs on Lottery Tray Front into Sign Channel on tray.



2. Display tickets are held in Lottery Tray Front.

3. Tickets feed from tray, down between Lottery Tray Front and Sign Channel.

Lottery Tray Assembly



Install track by snapping teeth into corresponding slots on fixture shelf as shown.

Insert tray guides into slots on front of Module Track and slide tray into place.

