

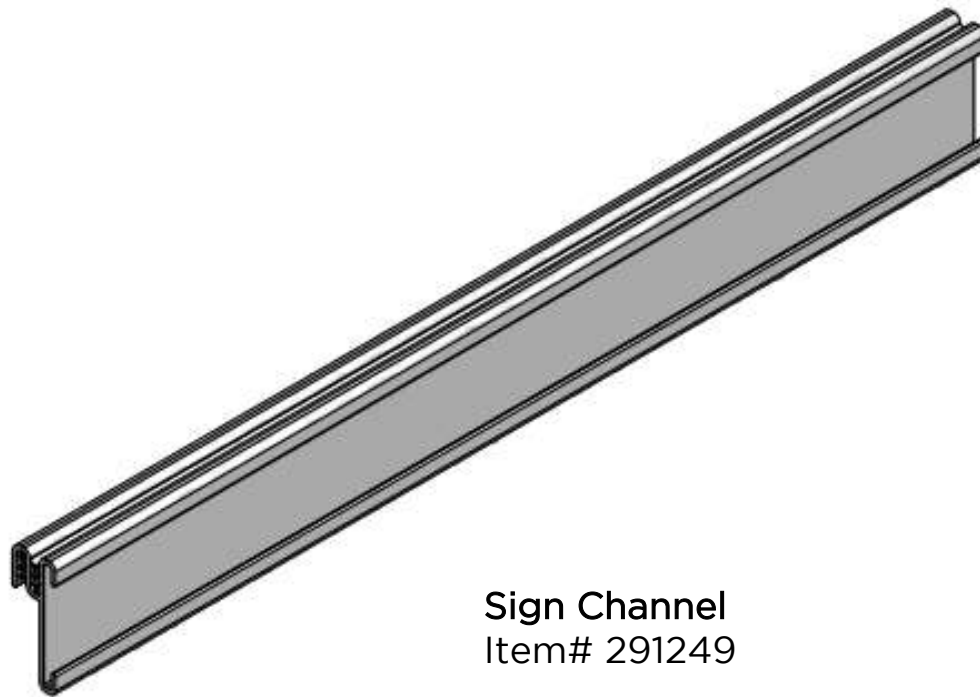
Installing Sign Channels

Carefully read the contents of these instructions, as the instructions indicate the correct step by step procedure to assemble the product. In the event of assembly problems or missing parts, please call our customer service department at **616-842-5330**.

CAUTION:

ASSEMBLED UNIT IS VERY HEAVY. DO NOT ATTEMPT TO LIFT OR MOVE WITHOUT ASSISTANCE.

THE MANUFACTURER OF THIS DISPLAY ASSUMES NO LIABILITY FOR INJURY CAUSED BY IMPROPER ASSEMBLY / INSTALLATION OF THIS DISPLAY.



Sign Channel
Item# 291249

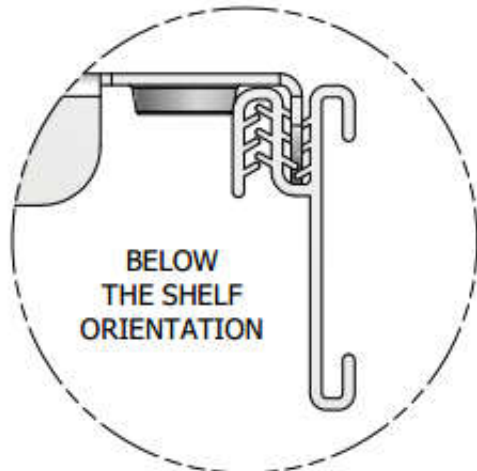


WARNING:

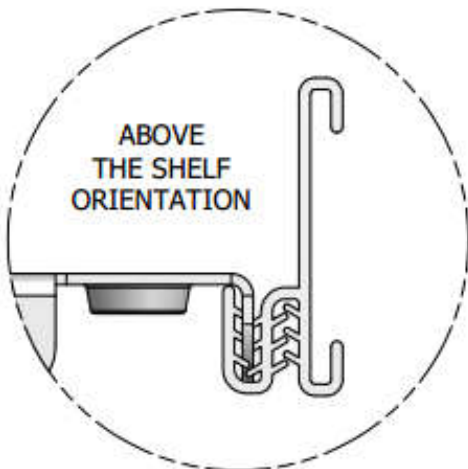
This product contains chemicals known to the State of California to cause cancer and birth defects or other reproduction harm.

For more information, go to www.P65Warnings.ca.gov

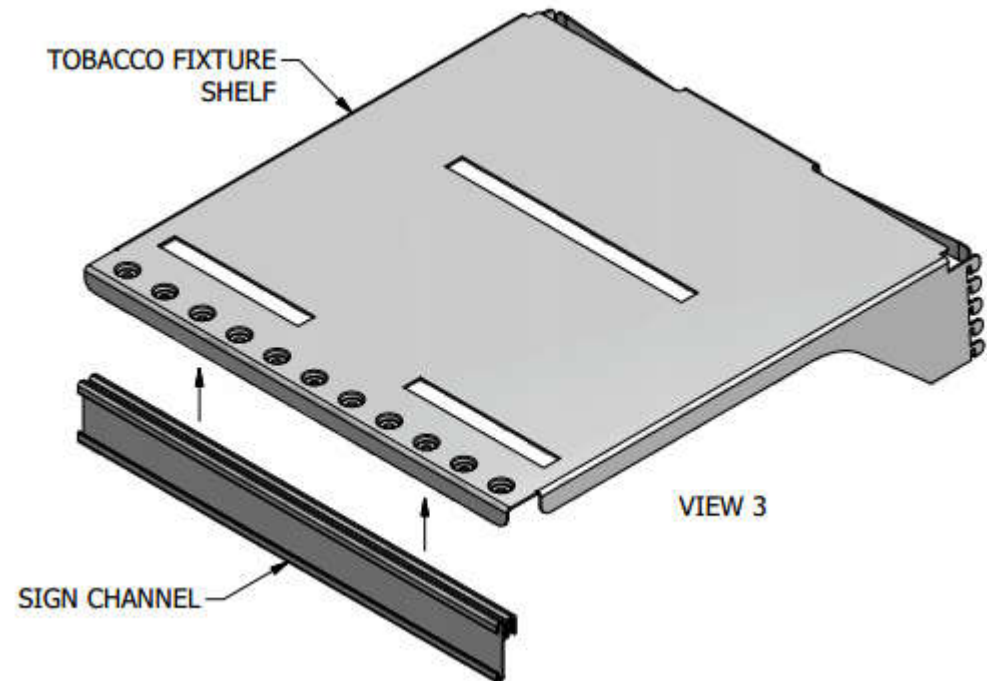
Installing Sign Channels



VIEW 1



VIEW 2



INSTALLATION

1. Determine the orientation of the sign channel on the fixture shelves, below the shelf (View 1) or above the shelf (View 2).
2. Carefully press sign channel onto the front lip of the first shelf so that it is fully seated (View 3).
3. Repeat Step 2 for additional shelves.