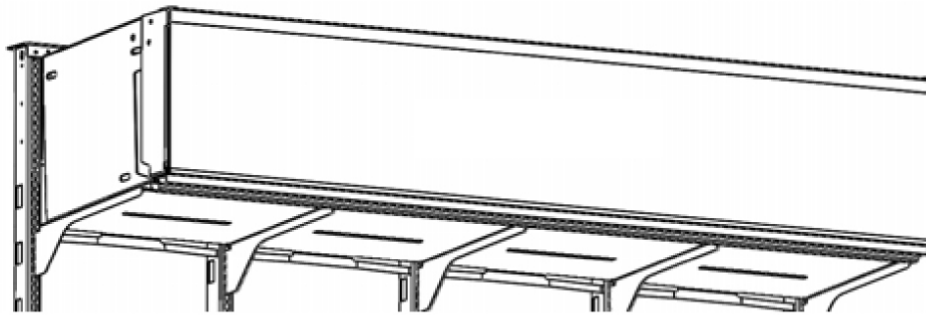


Header Installation

Carefully read the contents of these instructions, as the instructions indicate the correct step by step procedure to assemble the product. In the event of assembly problems or missing parts, please call our customer service department at **616-842-5330**.



CAUTION:

ASSEMBLED UNIT IS VERY HEAVY. DO NOT ATTEMPT TO LIFT OR MOVE WITHOUT ASSISTANCE.

THE MANUFACTURER OF THIS DISPLAY ASSUMES NO LIABILITY FOR INJURY CAUSED BY IMPROPER ASSEMBLY / INSTALLATION OF THIS DISPLAY.



WARNING:

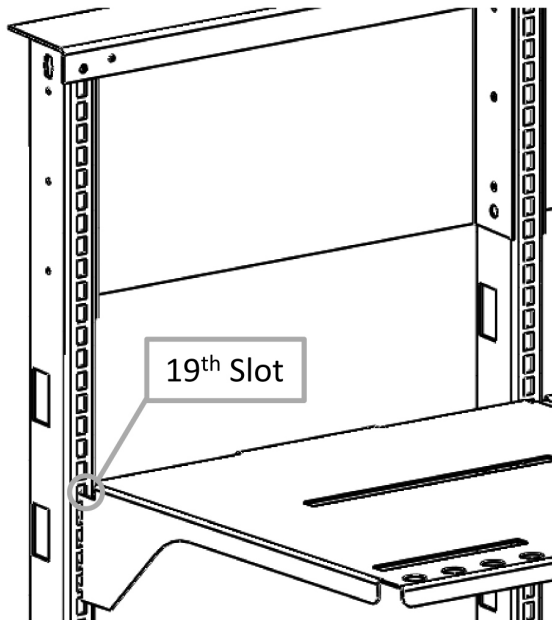
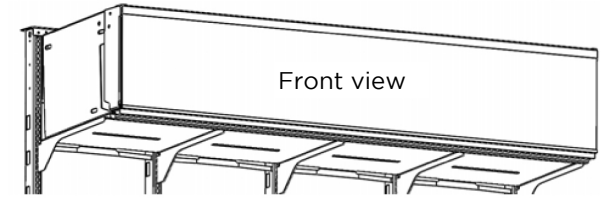
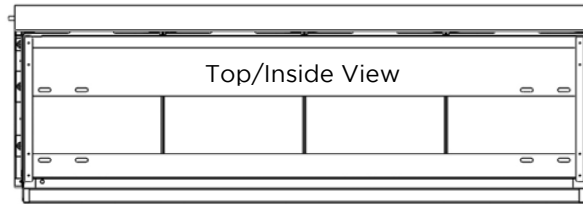
This product contains chemicals known to the State of California to cause cancer and birth defects or other reproduction harm.

For more information, go to www.P65Warnings.ca.gov

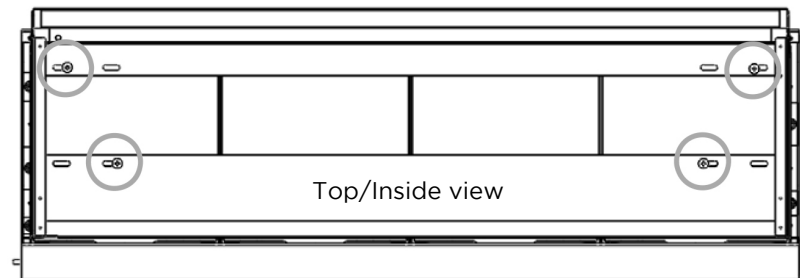
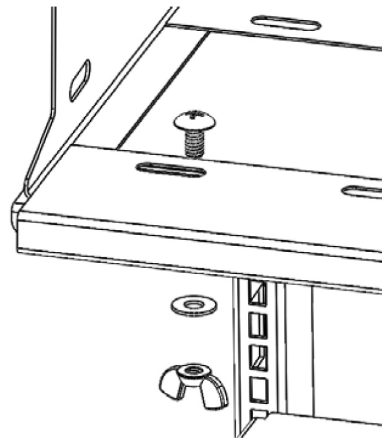
Header Installation

1.) Top row of shelves placed in 19th slot from the top of the fixture. If more merchandising space is needed, header shelves can be raised to increase space below.

2.) Place Header onto shelves and align slots in header base with shelf slots.



3.) Secure Header to shelves using provided wing nuts, washer, and bolts. Must be secured at 4 locations.



Note: Headers can be installed in any location on fixture, even across fixture connection points.