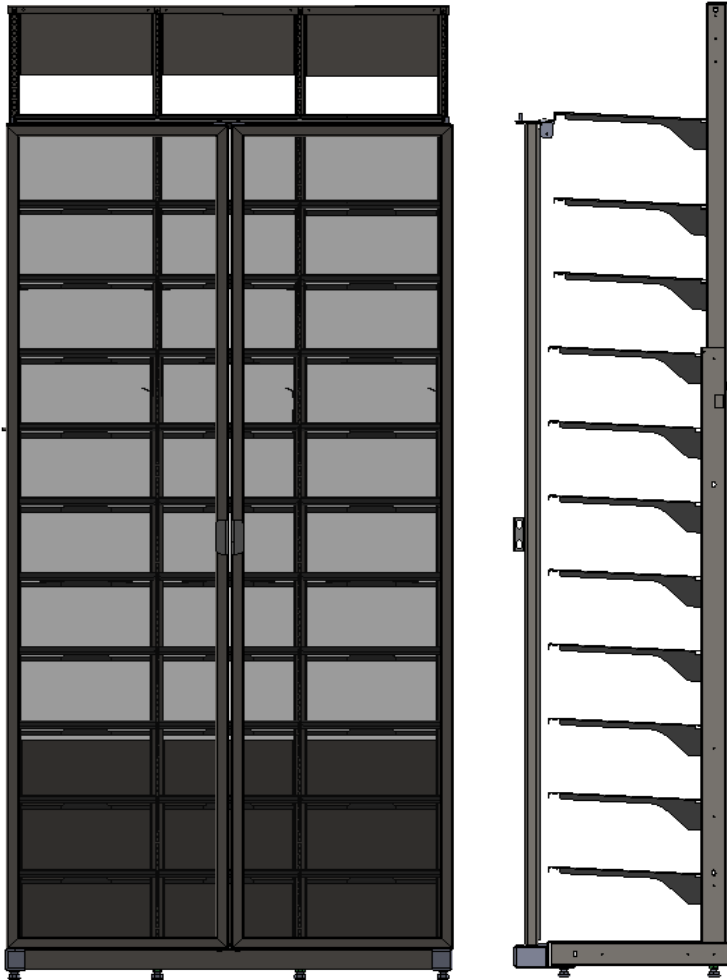


# Infinity Security Door Installation



(3ft Standard Height option shown for reference)

Carefully read the contents of these instructions, as the instructions indicate the correct step by step procedure to assemble the product. In the event of assembly problems or missing parts, please call our customer service department at **616-842-5330**.

## CAUTION:

ASSEMBLED UNIT IS VERY HEAVY. DO NOT ATTEMPT TO LIFT OR MOVE WITHOUT ASSISTANCE.

THE MANUFACTURER OF THIS DISPLAY ASSUMES **NO LIABILITY** FOR INJURY CAUSED BY IMPROPER ASSEMBLY / INSTALLATION OF THIS DISPLAY.



## WARNING:

This product contains chemicals known to the State of California to cause cancer and birth defects or other reproduction harm.

For more information, go to [www.P65Warnings.ca.gov](http://www.P65Warnings.ca.gov)

### Standard Height Security Door

Item #291367 2ft Silver  
Item #291369 3ft Silver  
Item #291371 4ft Silver

Item #291366 2ft Black  
Item #291368 3ft Black  
Item #291370 4ft Black

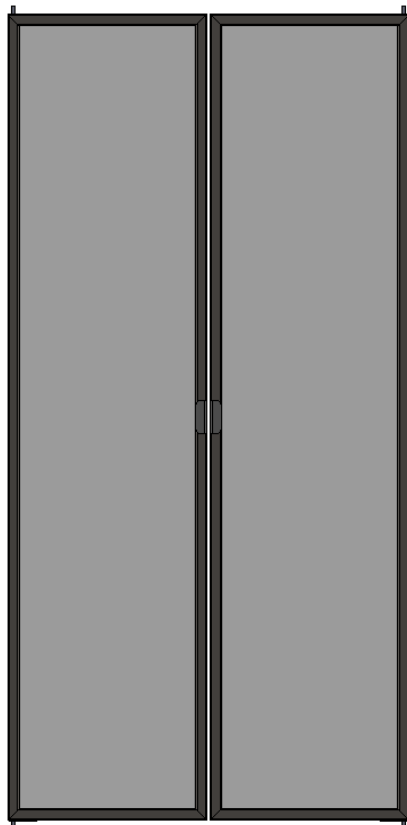
### Low Profile Security Door

Item #291361 2ft Silver  
Item #291363 3ft Silver  
Item #291365 4ft Silver

Item #291360 2ft Black  
Item #291362 3ft Black  
Item #291364 4ft Black

# Infinity Security Door Installation

**Prior to installing security doors, follow the instructions for Infinity Fixture Installation. Telescoping fixtures must be set to Standard Height 85".**



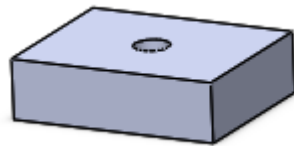
Left & Right Doors



Upper Door Bracket



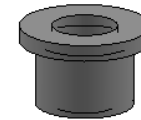
Lower Door Bracket



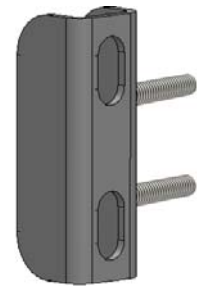
Door Bracket Magnets (x4)



Door Pin Cap (x2)



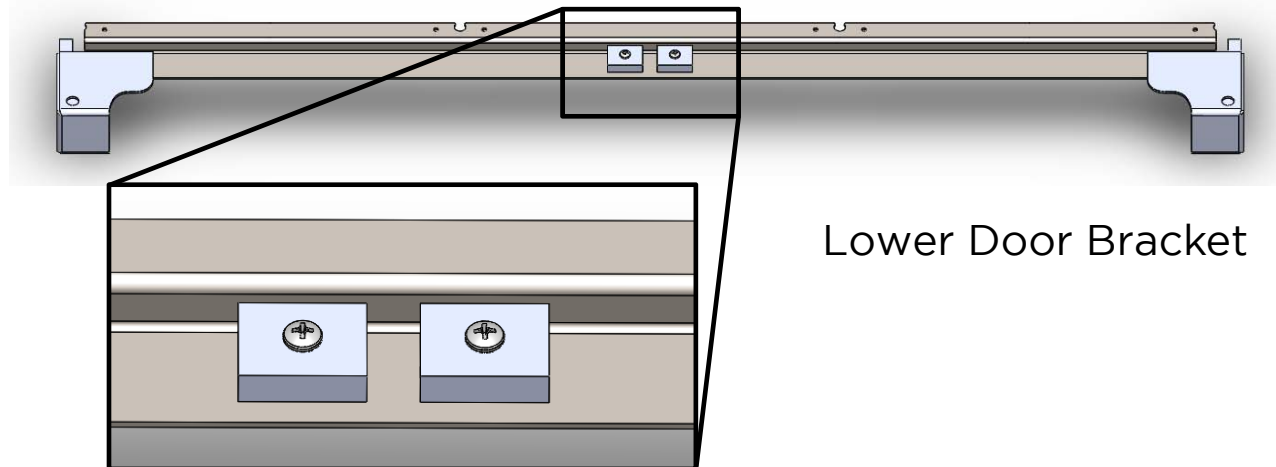
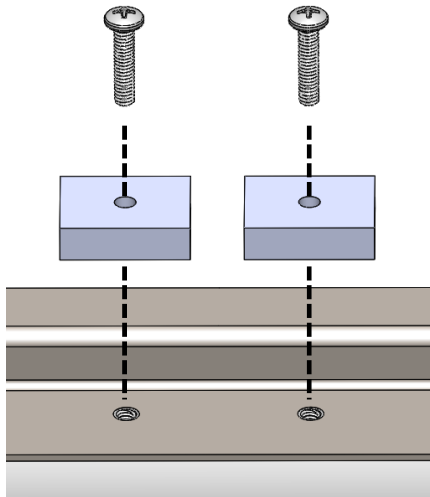
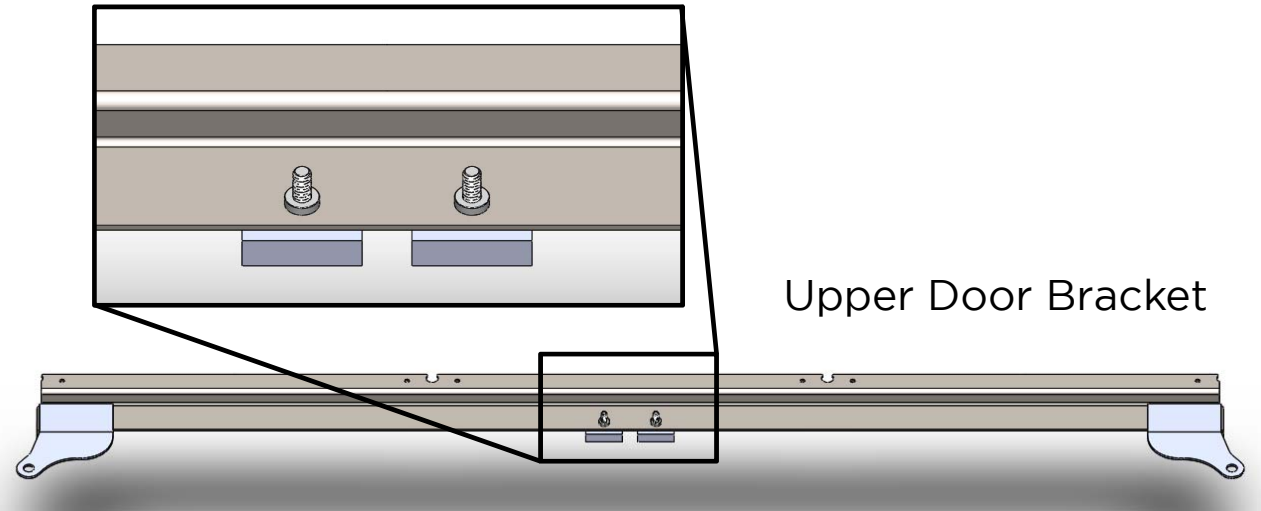
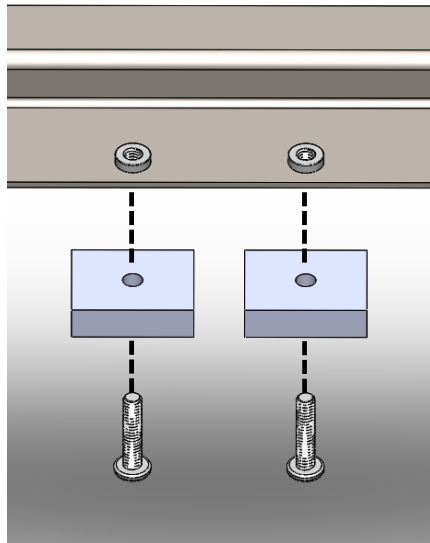
Door Pin Bushing (x2)



Door Handle (x2)

# Infinity Security Door Installation

Attach magnets to Upper and Lower Bracket with provided 8/32 screws.



305917IS

11-06-2020

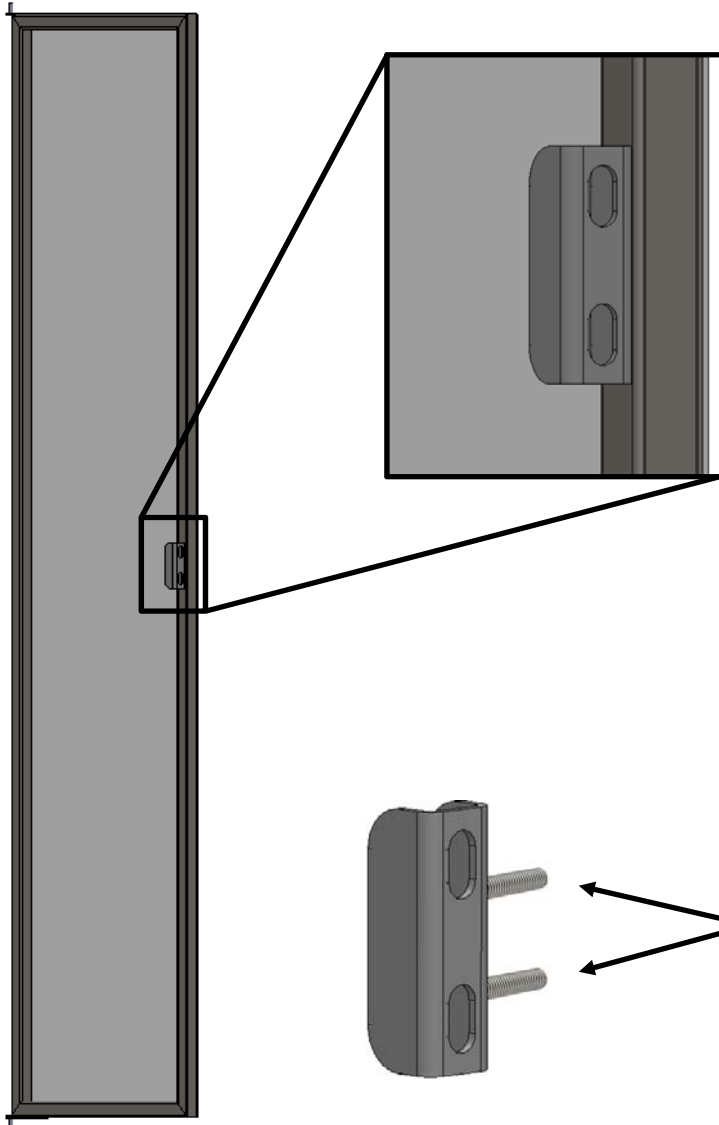
© 2020 Harbor Industries

\*\*IT IS THE RESPONSIBILITY OF THE INSTALLER TO CAREFULLY READ & FOLLOW ALL STEPS IN THE INSTRUCTIONS.

**HARBOR**

SHEET 3 OF 8

# Infinity Security Door Installation



## Door Handles

Door handles install with lock openings facing to the middle of the door set and directly to the door frame. (Door panel should be on the back)

Insert studs through holes in door frame and attach from the back with provided hex nuts.

305917IS

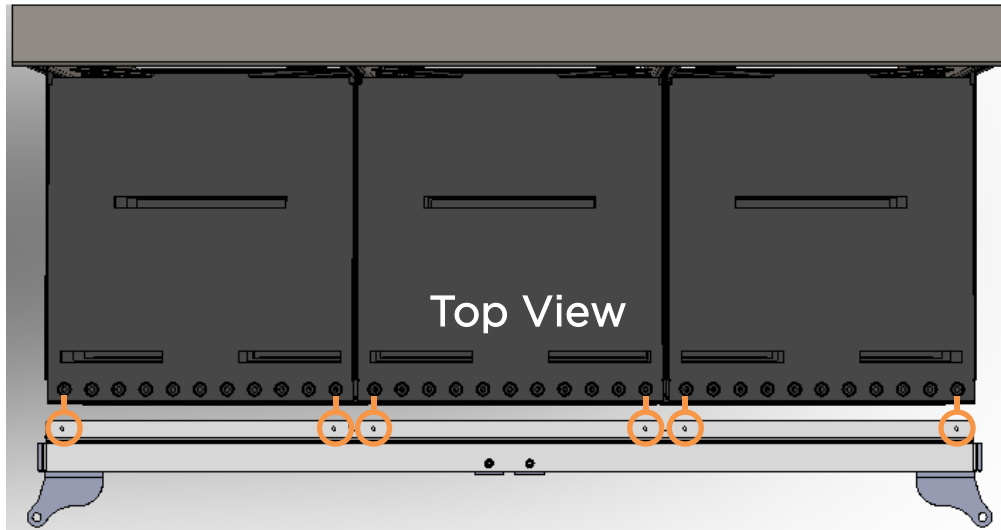
11-06-2020

© 2020 Harbor Industries

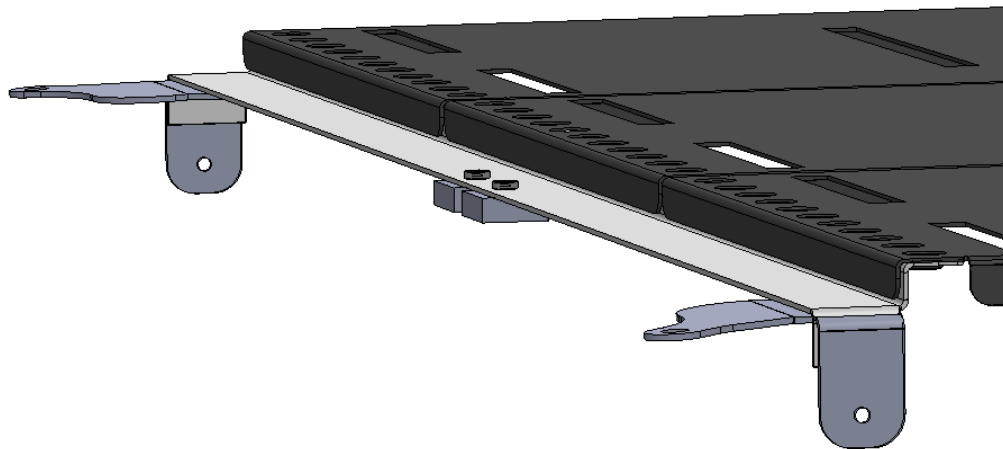
\*\*IT IS THE RESPONSIBILITY OF THE INSTALLER TO CAREFULLY READ & FOLLOW ALL STEPS IN THE INSTRUCTIONS.

**HARBOR**

# Infinity Security Door Installation

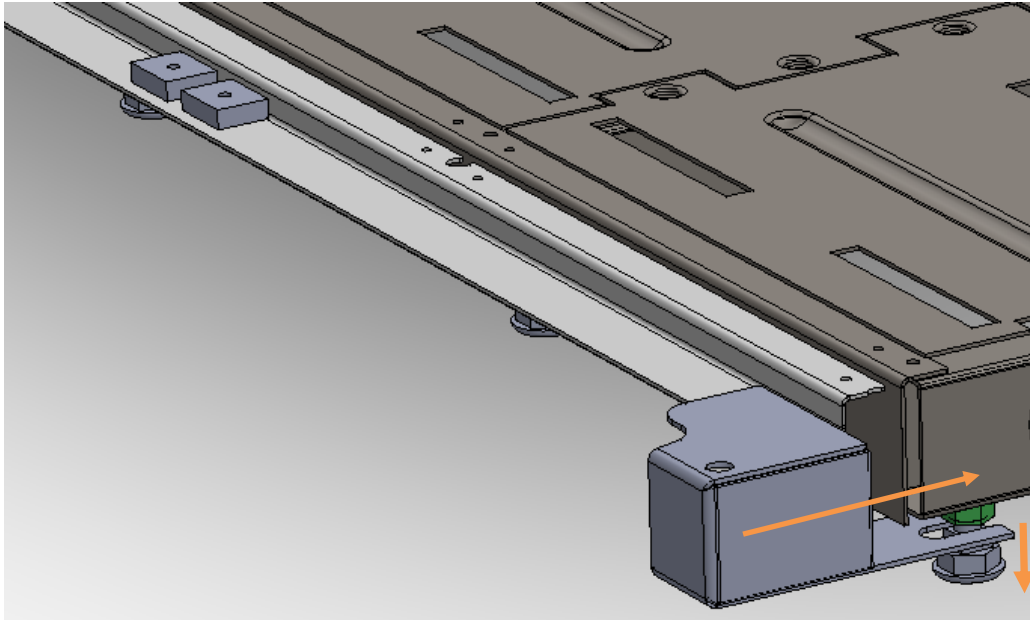


Remove fixture headers prior to installing security doors



Locate bracket under front lip of header storage shelves. Align holes in shelves with holes in bracket and secure with drill point screws provided.

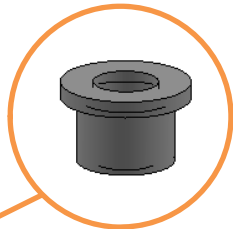
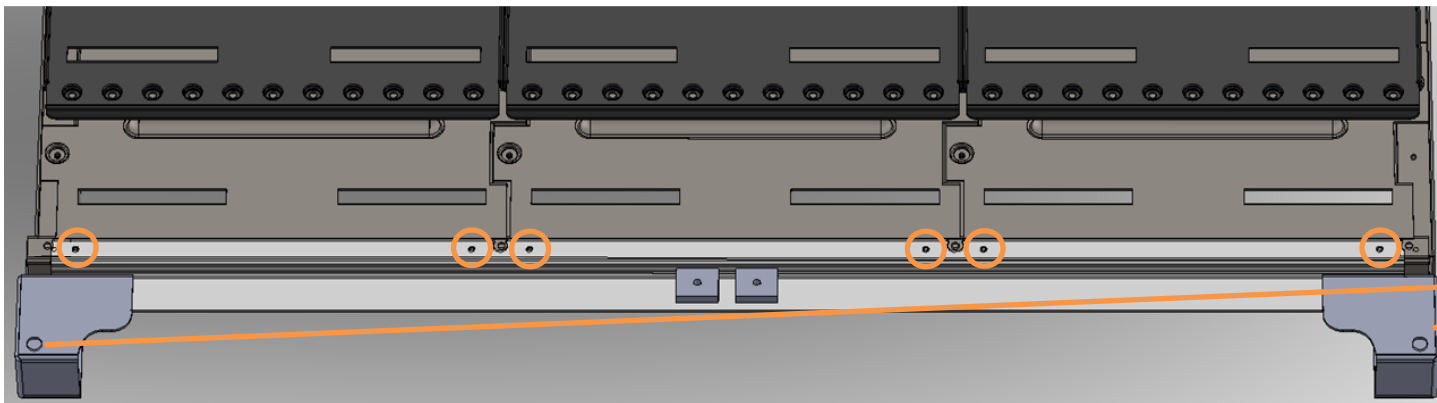
# Infinity Security Door Installation



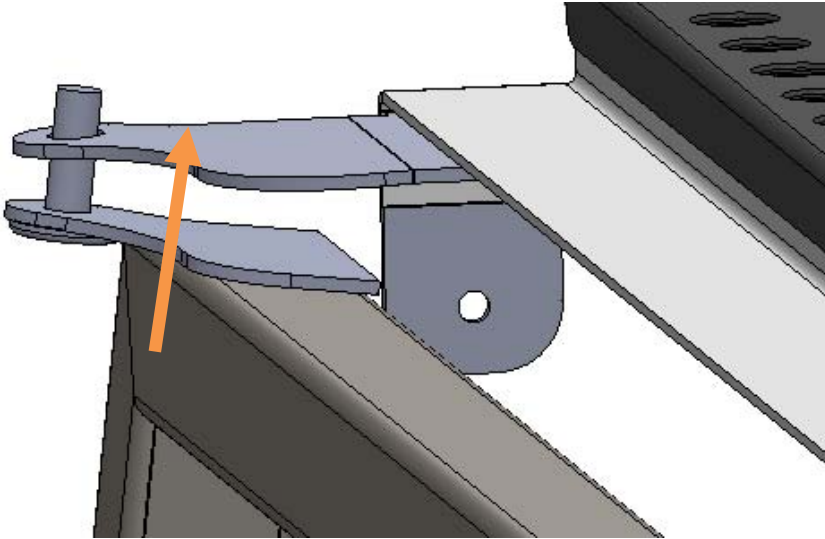
## Lower Door Bracket

Turn front left and right levelers counter-clockwise to give clearance for bracket guides. Slide bracket over toe kick with leveler studs between bracket guides.

Align holes in bracket with holes in toe kick. Secure with drill point screws provided. Insert door pin bushing into right and left corners.



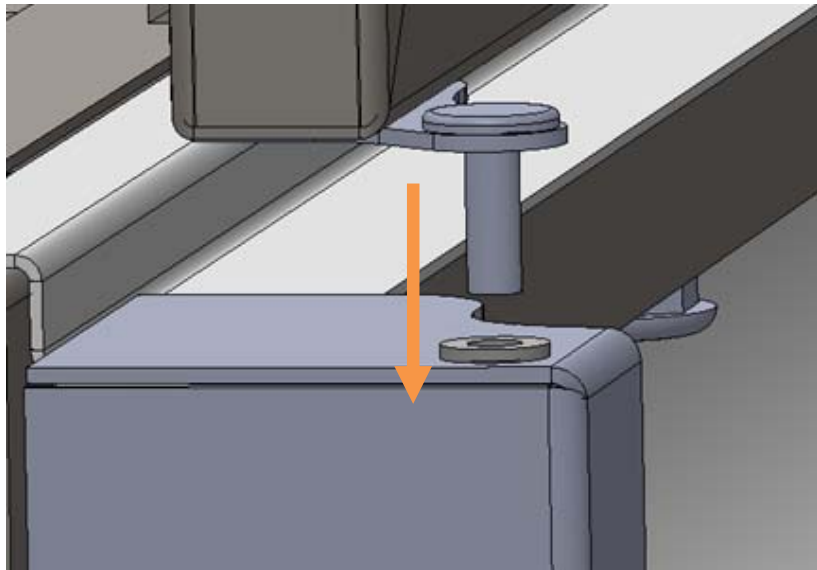
# Infinity Security Door Installation



## Door Installation

Lift door and locate upper door pin up into top bracket hole location.

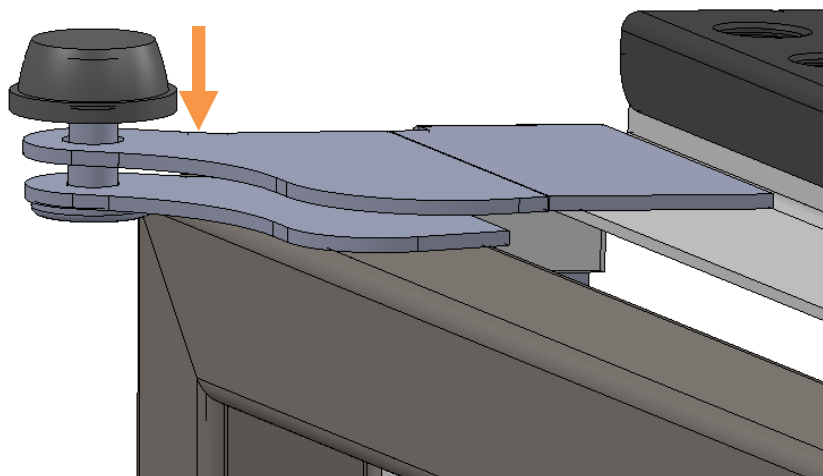
*Door Pin must face out from door frame with handles to the middle*



Lower door and insert lower door pin into door pin bushing in lower door bracket.

(Repeat step for remaining door)

# Infinity Security Door Installation



## Door Pin Cap

Install door pin cap on each door by gently tapping into place.

Door Pin Caps ***must*** be installed to secure door. Do not skip this step.