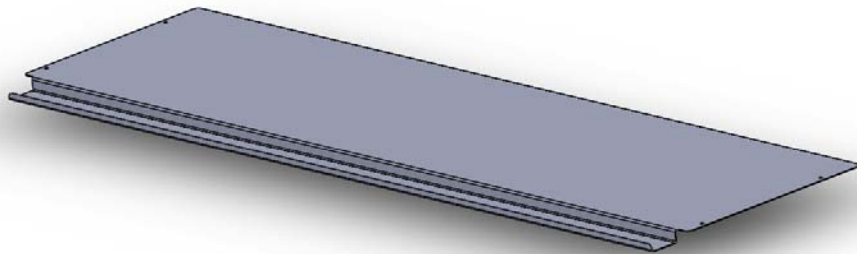


# Infinity Fixture Top Cap Installation

Carefully read the contents of these instructions, as the instructions indicate the correct step by step procedure to assemble the product. In the event of assembly problems or missing parts, please call our customer service department at **616-842-5330**.



## CAUTION:

ASSEMBLED UNIT IS VERY HEAVY. DO NOT ATTEMPT TO LIFT OR MOVE WITHOUT ASSISTANCE.

THE MANUFACTURER OF THIS DISPLAY ASSUMES NO LIABILITY FOR INJURY CAUSED BY IMPROPER ASSEMBLY / INSTALLATION OF THIS DISPLAY.



## WARNING:

This product contains chemicals known to the State of California to cause cancer and birth defects or other reproduction harm.

For more information, go to [www.P65Warnings.ca.gov](http://www.P65Warnings.ca.gov)

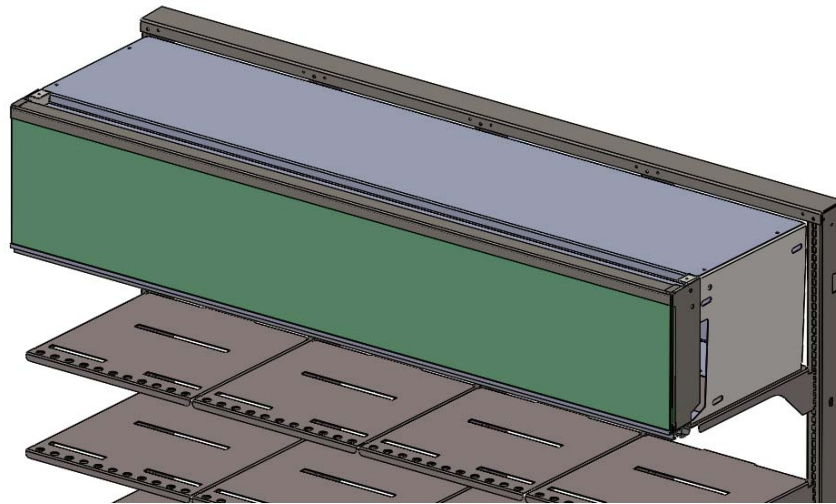
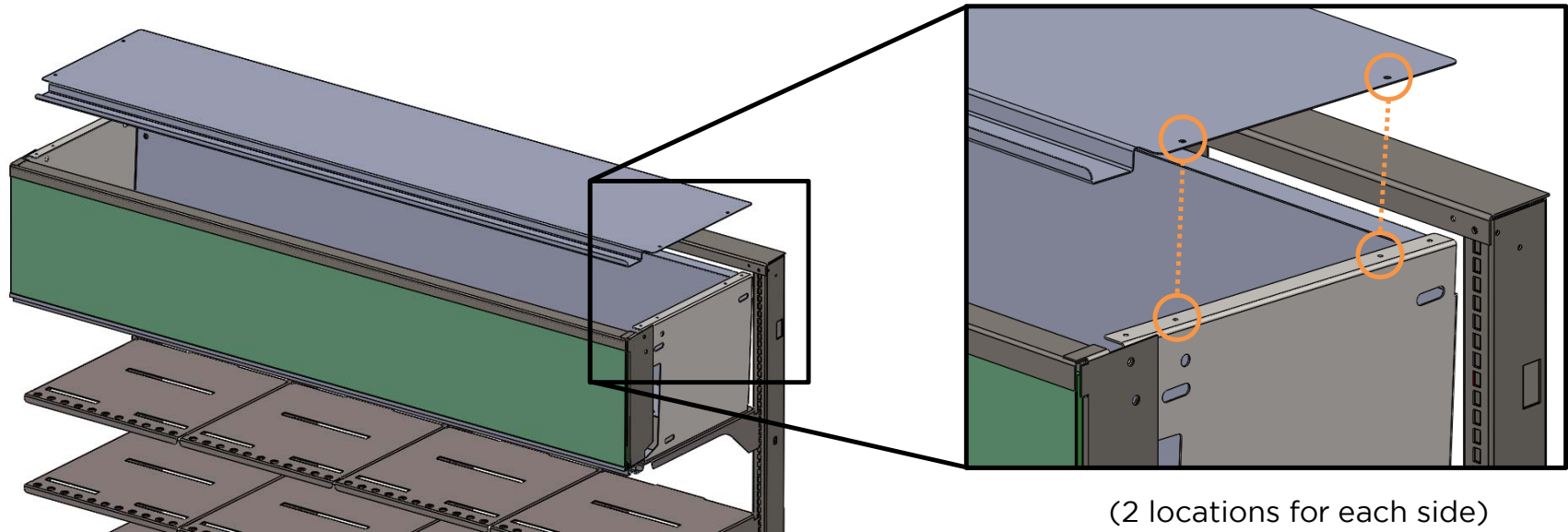
### INF FXT TOP CAP KIT (BLACK)

ITEM # 415710 2FT  
ITEM # 415712 3FT  
ITEM # 415714 4FT

### INF FXT TOP CAP KIT (SILVER)

ITEM # 415711 2FT  
ITEM # 415713 3FT  
ITEM # 415715 4FT

# Infinity Fixture Top Cap Installation



Position Top Cap with bent edge facing towards front of fixture as shown. Align holes on each side with holes in top of header box and secure with provided hardware.