

INFINITY BACK PANEL

EACH KIT BELOW INCLUDES A BACK PANEL AND A HARDWARE KIT:

323654 - 1FT LOW PROFILE BACK PANEL KIT - BLACK
323655 - 2FT LOW PROFILE BACK PANEL KIT - BLACK
323656 - 3FT LOW PROFILE BACK PANEL KIT - BLACK
323657 - 4FT LOW PROFILE BACK PANEL KIT - BLACK

323640 - 1FT LOW PROFILE BACK PANEL KIT - SILVER
323641 - 2FT LOW PROFILE BACK PANEL KIT - SILVER
323642 - 3FT LOW PROFILE BACK PANEL KIT - SILVER
323643 - 4FT LOW PROFILE BACK PANEL KIT - SILVER

323650 - 1FT STANDARD HT BACK PANEL KIT - BLACK
323651 - 2FT STANDARD HT BACK PANEL KIT - BLACK
323652 - 3FT STANDARD HT BACK PANEL KIT - BLACK
323653 - 4FT STANDARD HT BACK PANEL KIT - BLACK

323639 - 1FT STANDARD HT BACK PANEL KIT - SILVER
323613 - 2FT STANDARD HT BACK PANEL KIT - SILVER
323634 - 3FT STANDARD HT BACK PANEL KIT - SILVER
323635 - 4FT STANDARD HT BACK PANEL KIT - SILVER

NOTE: BACK PANEL KITS ARE DESIGNED FOR USE WITH THE HARBOR INFINITY FIXTURES ONLY.

Carefully read the contents of these instructions, as the instructions indicate the correct step by step procedure to assemble the product. The carton contents page(s) will identify the assembly part numbers and their descriptions. Before proceeding with the assembly process, match the carton contents to the stated contents to ensure there are no missing parts. In the event of assembly problems or missing parts, please call our customer service department at **616-842-5330**.

CAUTION:

ASSEMBLED UNIT IS VERY HEAVY. DO NOT ATTEMPT TO LIFT OR MOVE WITHOUT ASSISTANCE.

THE MANUFACTURER OF THIS DISPLAY ASSUMES NO LIABILITY FOR INJURY CAUSED BY IMPROPER ASSEMBLY / INSTALLATION OF THIS DISPLAY.



WARNING:

This product contains chemicals known to the State of California to cause cancer and birth defects or other reproduction harm.

For more information, go to www.P65Warnings.ca.gov

ALL KITS INCLUDE BELOW HARDWARE KIT:

ITEM#	DESCRIPTION	QTY
423437	3/8" PUSH RIVET	5
111901	3/4" VELCRO DOT HOOK - BLACK	10
111900	3/4" VELCRO DOT LOOP - BLACK	10

NOTE: NOT ALL OF ABOVE WILL BE USED IN EACH KIT. THERE MAY BE EXTRA PARTS.

323654IS

11-06-2020

© 2020 Harbor Industries

**IT IS THE RESPONSIBILITY OF THE INSTALLER TO CAREFULLY READ & FOLLOW ALL STEPS IN THE INSTRUCTIONS.

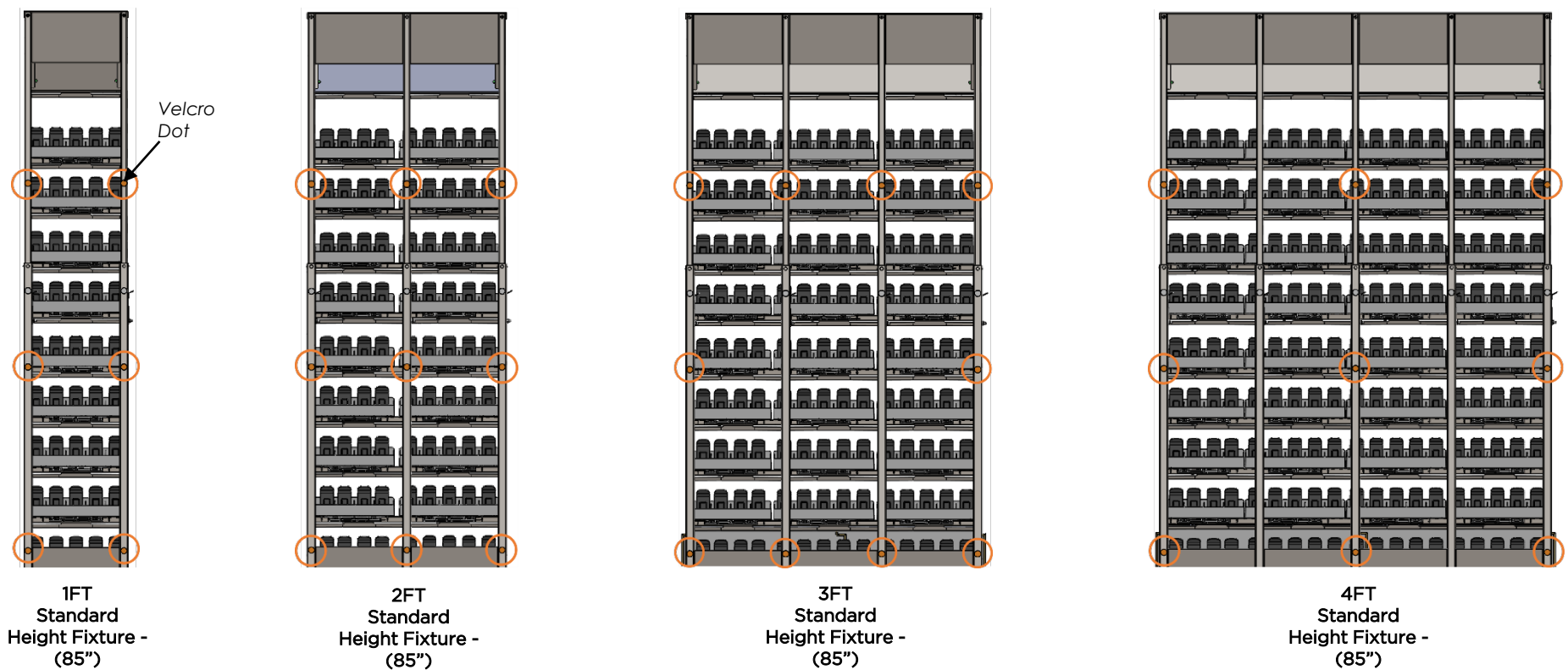
HARBOR

INFINITY BACK PANEL

STANDARD HIGH FIXTURES / VELCRO APPLICATION

Velcro dots come in strips and can be cut into 1 dot sets, hook & loop sides together. Remove the backer off just one side of Velcro set and place exposed adhesive side of Velcro on your fixture as shown below (Low Profile fixture are shown on the next page).

Vertical spacing between rows of dots is approximately 22". Function and appearance of back panels may be compromised if dots are not placed as shown below.



323654IS

11-06-2020

© 2020 Harbor Industries

**IT IS THE RESPONSIBILITY OF THE INSTALLER TO CAREFULLY READ & FOLLOW ALL STEPS IN THE INSTRUCTIONS.

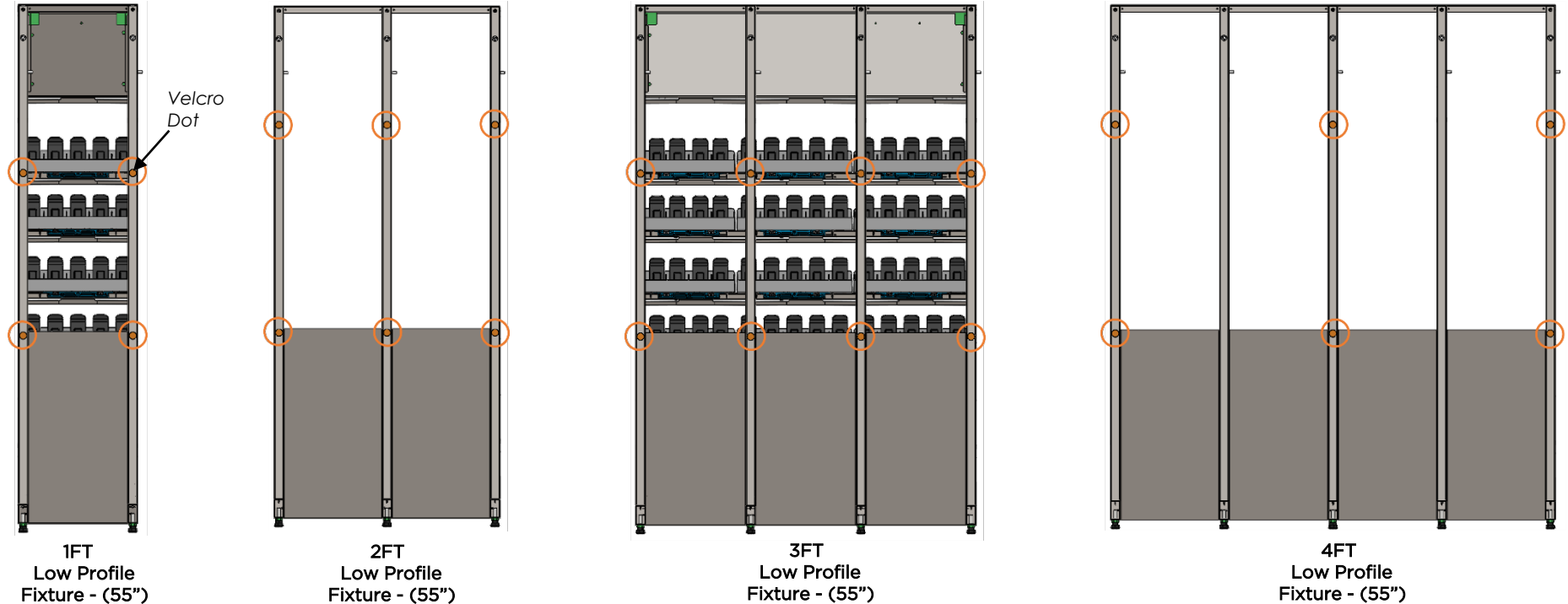
HARBOR

INFINITY BACK PANEL

LOW PROFILE FIXTURES / VELCRO APPLICATION

Velcro dots come in strips and can be cut into 1 dot sets, hook & loop sides together. Remove the backer off just one side of Velcro set and place exposed adhesive side of Velcro on your fixture as shown below (Stand Height fixtures are shown on the previous page).

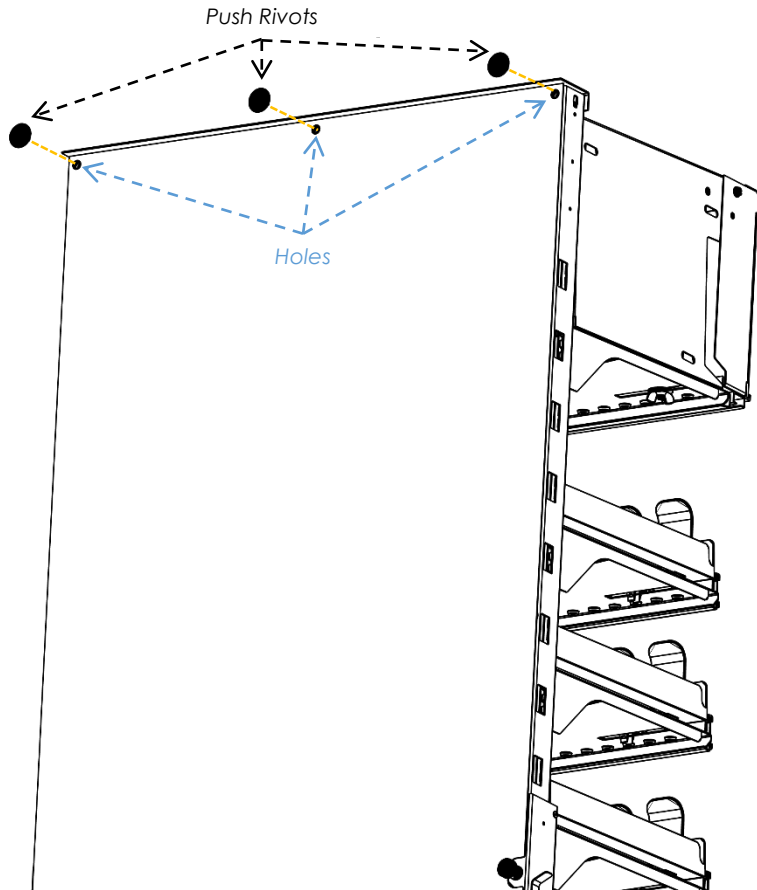
Vertical spacing between rows of dots is approximately 22". Function and appearance of back panels may be compromised if dots are not placed as shown below.



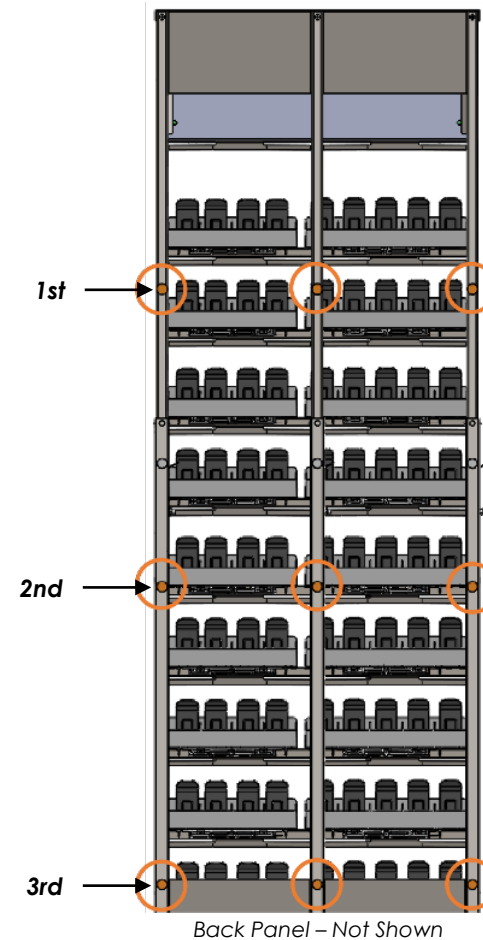
INFINITY BACK PANEL

Attach Back Panel to Fixture:

Align the holes at the top of the back panel with the holes in each fixture upright. Secure in place with the Push Rivets provided in hardware kit.



Adhere Back Panel to 2nd Side of Velcro Dots: Back Panel can be flexed up. Access top row and of Velcro dots and begin removing the other side of adhesive backer on Velcro dots. Apply light pressure and adhere in place.



NOTE: If Back Panel is longer than the height of the display, it needs to be trimmed. Please trim off the bottom edge by scoring it with a knife and then snapping off excess material.

323654IS

11-06-2020

© 2020 Harbor Industries

**IT IS THE RESPONSIBILITY OF THE INSTALLER TO CAREFULLY READ & FOLLOW ALL STEPS IN THE INSTRUCTIONS.

HARBOR